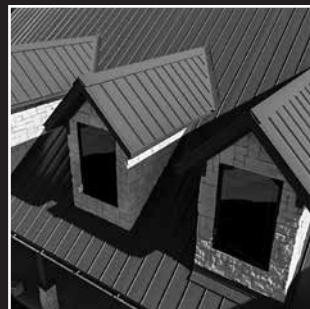




steel building & residential metal roofing
trim components

877-2-MUELLER (877-268-3553) www.MuellerInc.com



Rugged steel buildings and responsive service. That's Mueller.

Mueller is pleased to present high-quality trim components for our complete line of steel buildings.

In this catalog, you'll find everything you need to give Mueller steel buildings a finished, customized appearance — from corner boxes to peak boxes, from door trims to gutters.

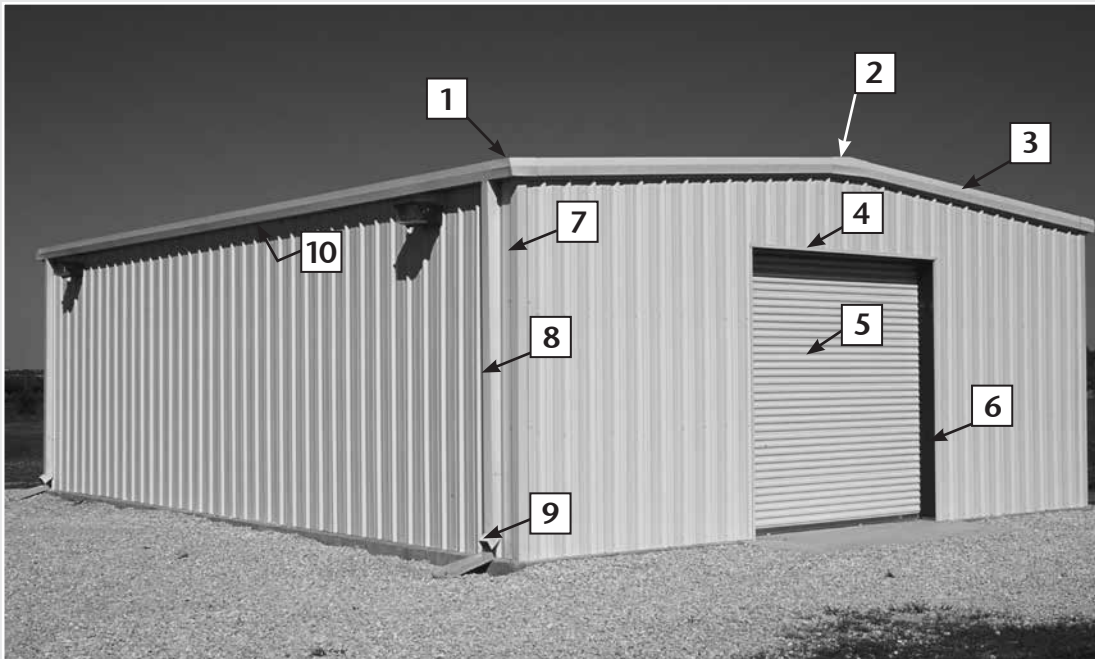
Of course, if you ever have questions about our trim components — or any Mueller product — just call one of our knowledgeable sales associates. You can also find the answers to many questions online at www.MuellerInc.com, where you can access photos, detailed product information, installation manuals, and directions to all of the Mueller branches.

We appreciate your business, and hope that you continue to choose Mueller for all of your steel building needs!

table of contents

- 3 steel building trim components
 - 19 residential trim components
 - 29 additional products
 - 30 sales policy
 - 31 index
 - 32 contact information
-

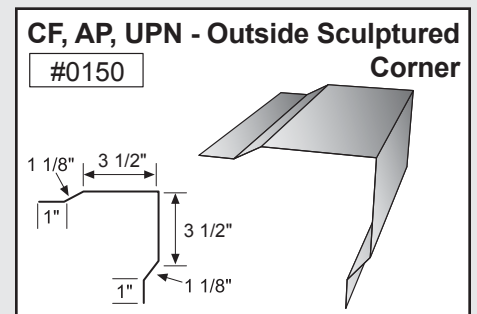
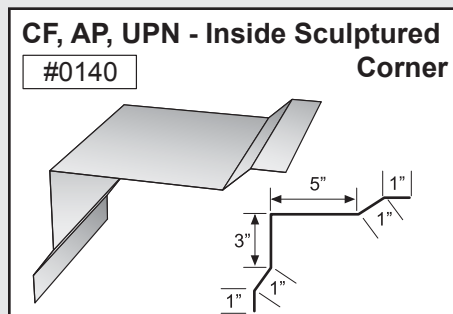
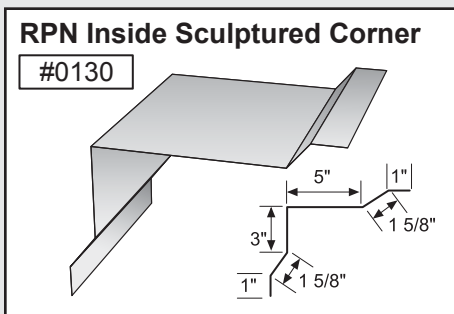
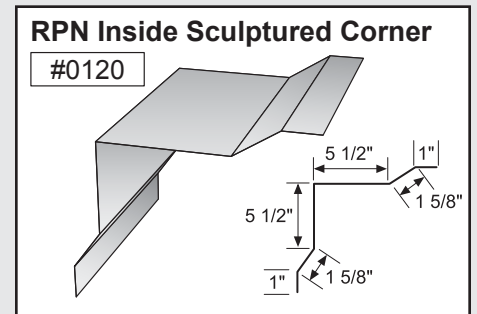
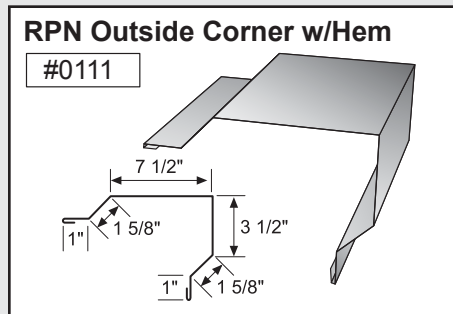
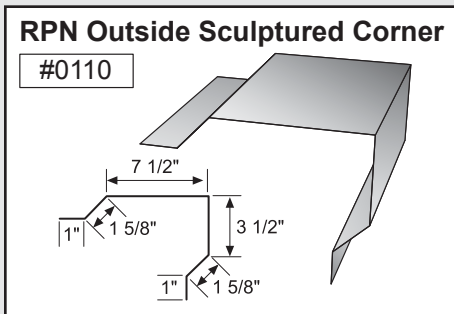
www.MuellerInc.com



- Corner Box ——— **1**
- Peak Box ——— **2**
- Rake Trim ——— **3**
- Door Head Trim ——— **4**
- Roll-Up Door ——— **5**
- Jamb Trim ——— **6**
- Corner Trim ——— **7**
- Downspout ——— **8**
- Downspout Kickout ——— **9**
- Gutter or Eave Trim ——— **10**

Mueller trim components can provide a cleaner and more finished look for your building. In an effort to minimize paint scratches during transit, we apply a protective plastic coating to some trim items. Be sure to remove the protective coating before installation. Avoid exposing the items to direct sunlight, which could make the plastic more difficult to remove.

CORNER TRIM



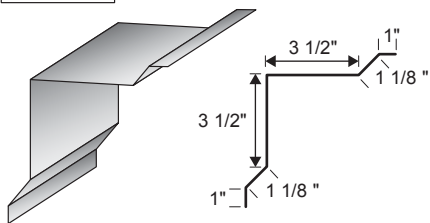
Standard profiles are shown. Need custom shaped profiles? Just contact a Mueller Sales Representative.

4 steel building trim components

CORNER TRIM CONTINUED

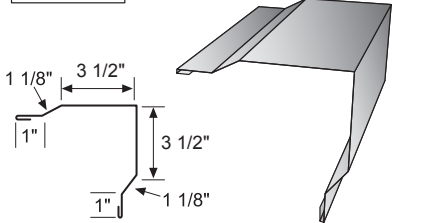
UPN, CF, AP -

#0151 Inside Corner - 11.25"



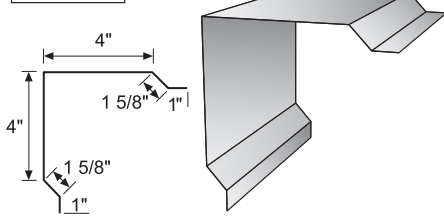
CF, AP, UPN - Outside Sculptured

#0152 Corner w/Hem



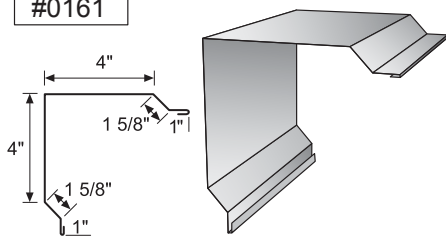
RPN - Outside Sculptured Corner

#0160



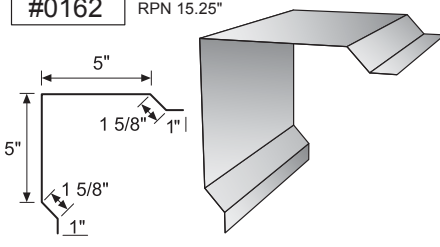
RPN Outside Corner w/Hem

#0161



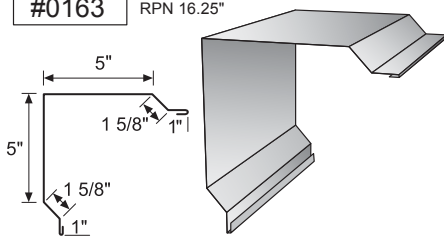
Outside Corner

#0162 RPN 15.25"



Outside Corner w/Hem

#0163 RPN 16.25"

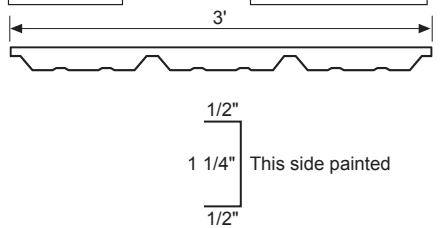


CLOSURES

RPN OS Closure "C"

#0327

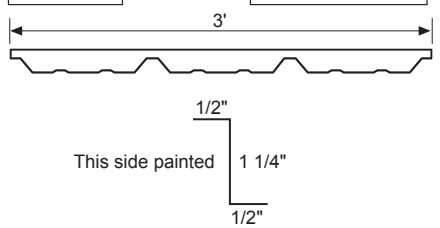
Vented #0336



RPN OS Closure "Z"

#0329

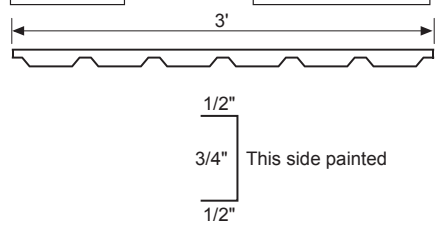
Vented #0337



UPN OS Closure "C"

#0332

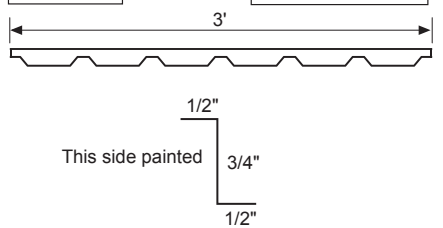
Vented #0334



UPN OS Closure "Z"

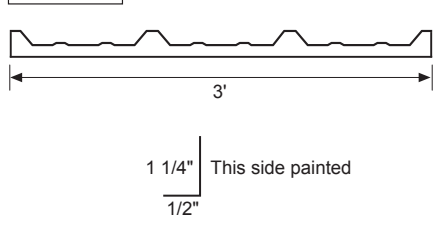
#0333

Vented #0335



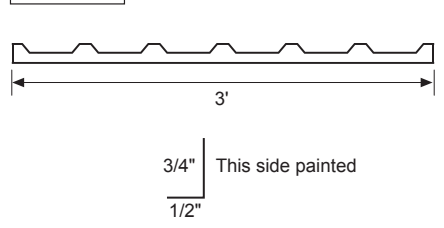
RPN IS Closure 3'

#0338

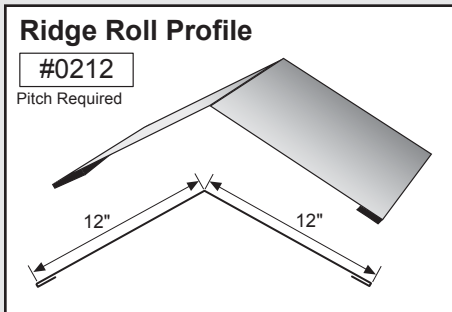
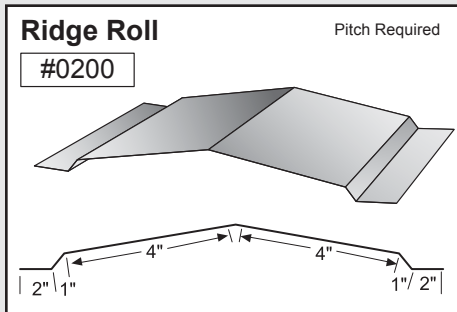


UPN IS Closure 3'

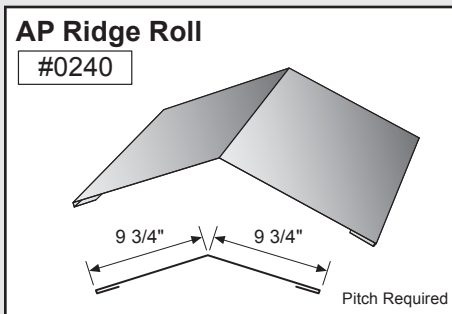
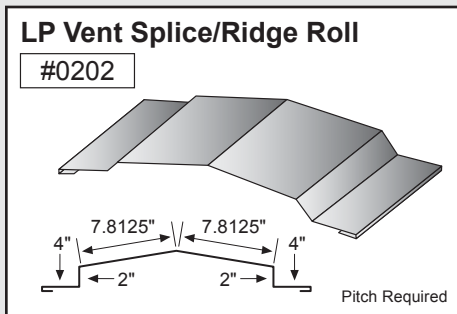
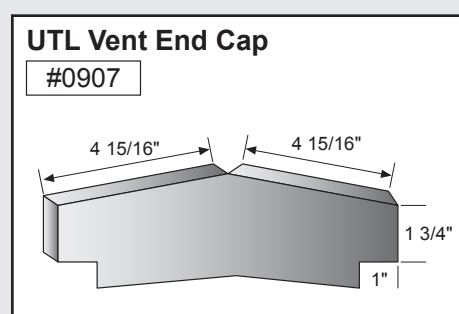
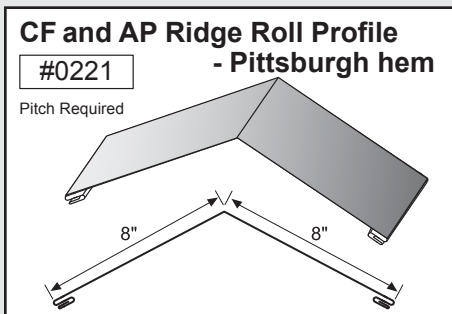
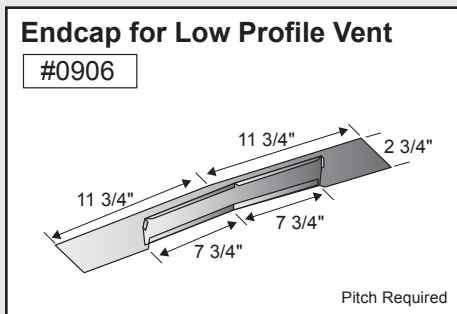
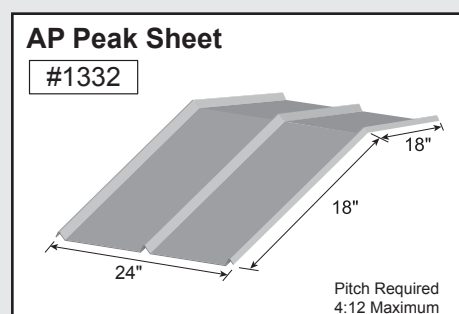
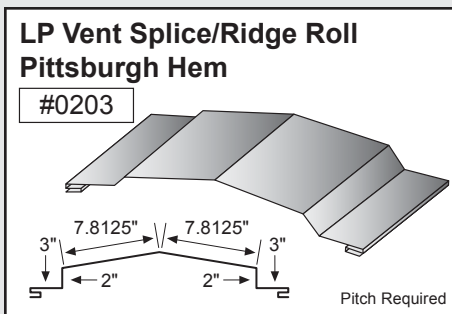
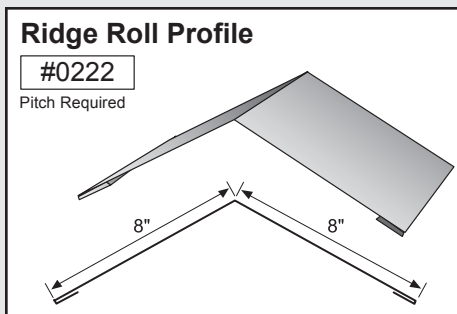
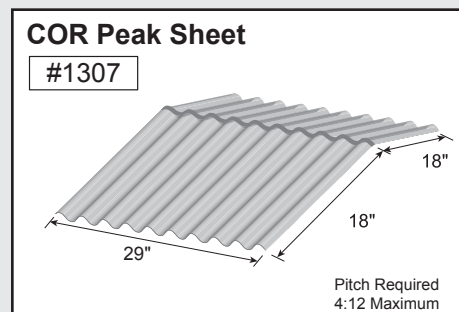
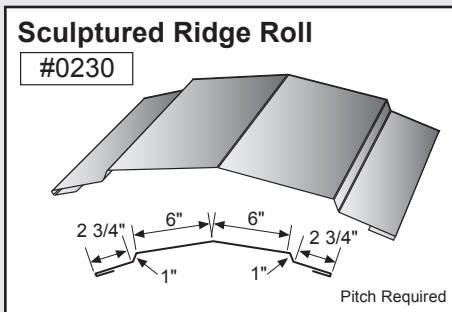
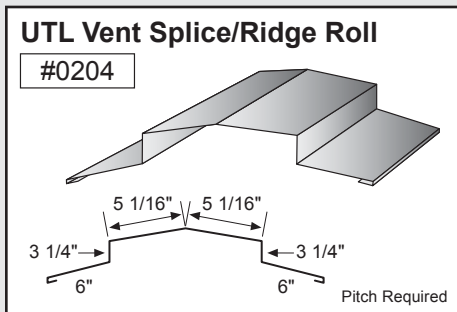
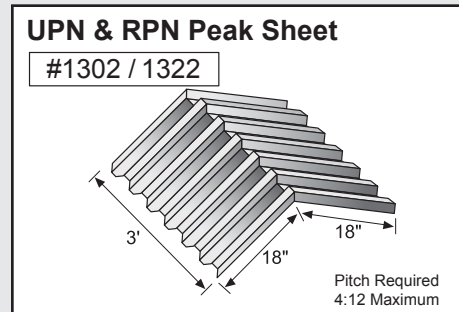
#0339



RIDGE ROLL

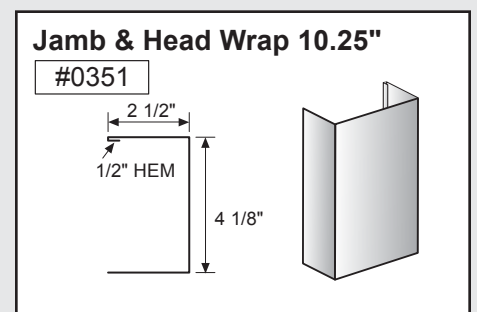
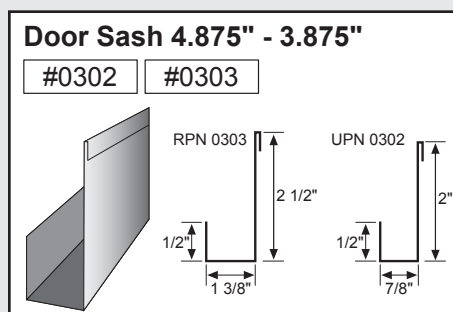
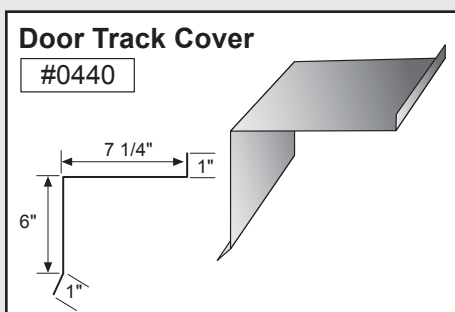
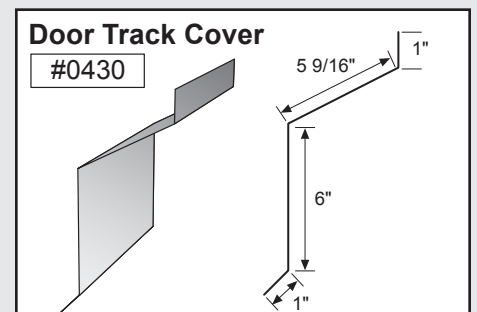
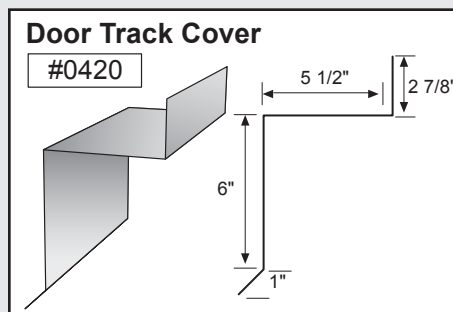
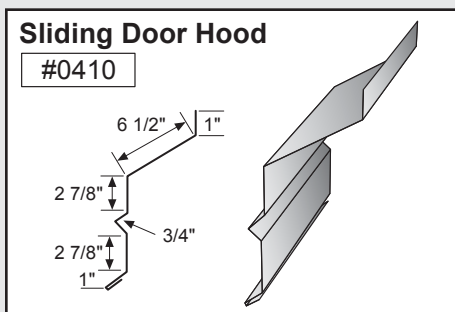
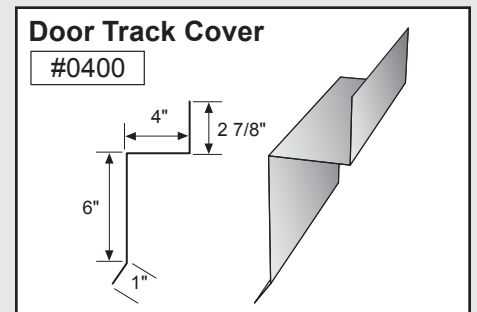
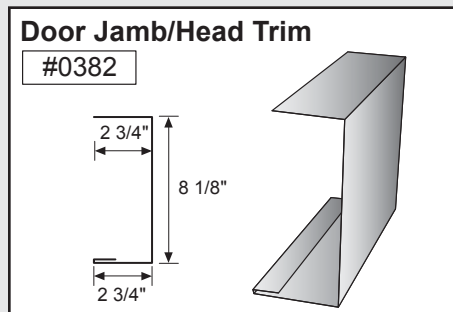
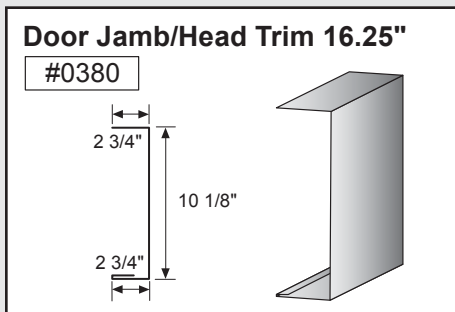
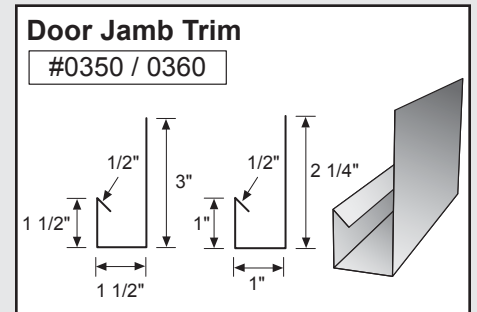
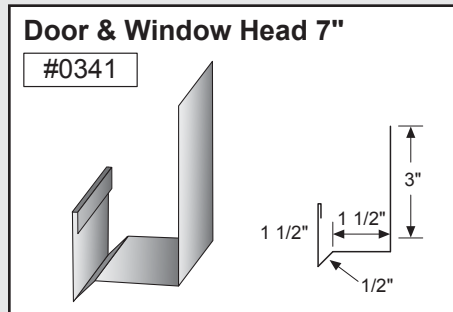
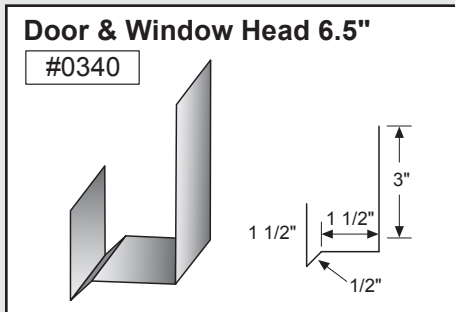
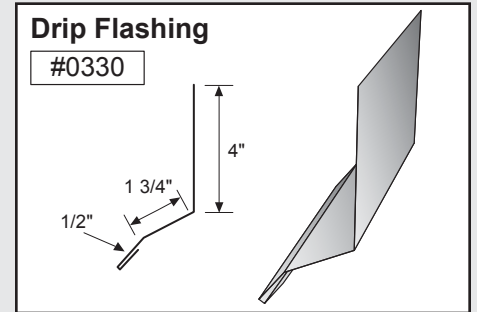
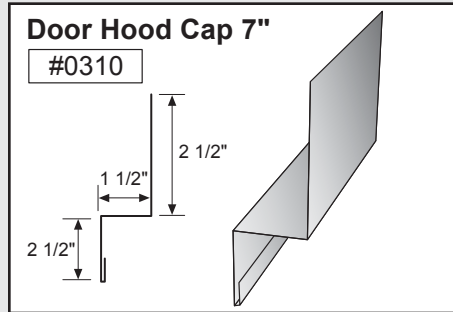
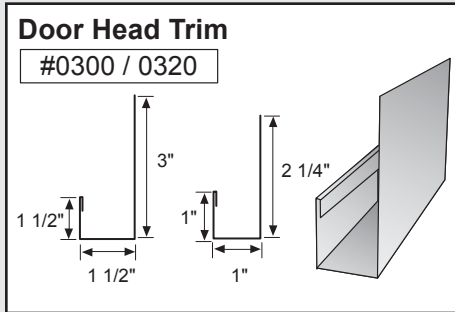


PEAK SHEET



6 steel building trim components

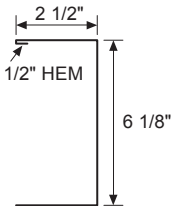
DOOR TRIM



DOOR TRIM CONTINUED

Jamb & Head Wrap 12.25"

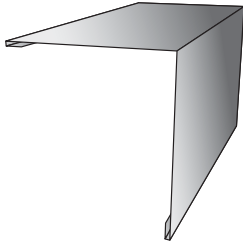
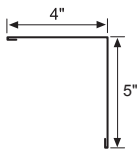
#0352



ANGLE TRIM

Outside Angle Trim

#0705



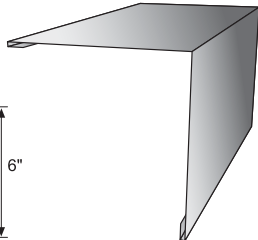
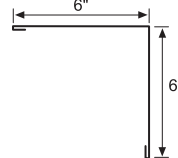
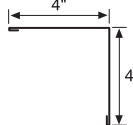
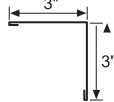
Outside Angle Trim

#0702

#0713

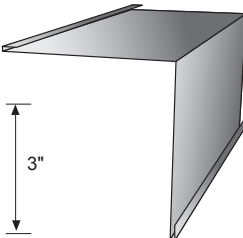
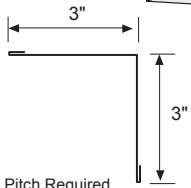
#0704

#0706



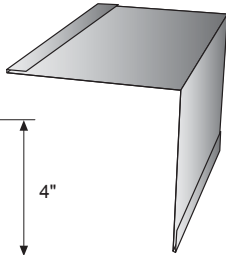
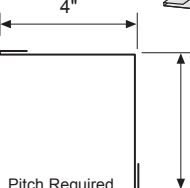
Inside Angle Trim

#0703



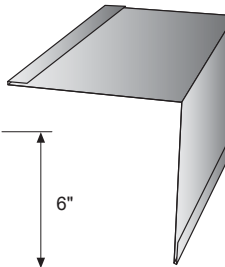
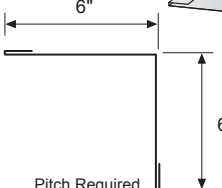
Pitch Required

#0714



Pitch Required

#0716



Pitch Required



EAVE TRIM & PEAK BOX

Utility Eave Trim
#0800

Pitch Required

Sculptured Eave Trim
#0810

Pitch Required

Open SW Eave < 4:12
#0813 14.9375" Pitch

Pitch Required

Open SW Eave > 3:12
#0814 15.0625" Pitch

Pitch Required

Peak Box for 1410 and 1420 Rake
#0920

Pitch Required

Peak Box for 1470, 1480 and 1490 Rake
#0999

Pitch Required

Peak Box for 1430 Rake
#0930

Pitch Required

Peak Box for 1440 and 1441 Rake
#0940

Pitch Required

GUTTER

Utility Gutter Profile
#0500

Pitch Required

Residential Gutter Profile
#0501

Pitch Required

Utility Gutter - 20.25" Pitch Required up to 4:12
#0507

Pitch Required

GUTTER CONTINUED

Utility Gutter - 20.75" Pitch Required up to 5:12-8:12

#0508

Sculpted Gutter

#0520

Pitch Required

Sculpted Gutter

#0523

Pitch Required

Gutter Splice

#0524

For 0500/0520 16.938" In GVL Only

Downspout Profile

#0610

Downspout Kickout 45°

#0620

Downspout Kickout 90°

#0621

Downspout Sleeve

#0622

Downspout Profile

#0613

Downspout Kickout 45°

#0633

Downspout Kickout 90°

#0623

Flush Kickout

#0624

Downspout Sleeve

#0643

Gutter Strap

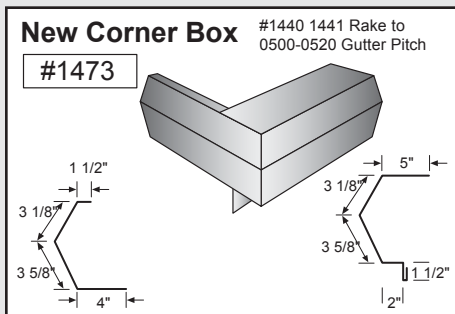
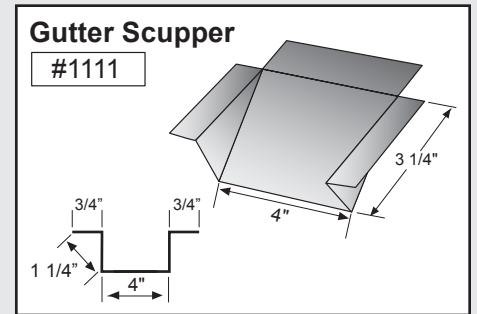
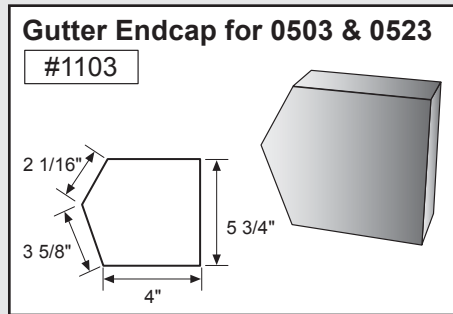
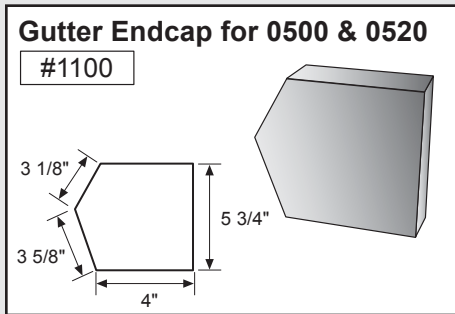
#1000

Downspout Strap

#1010

10 steel building trim components

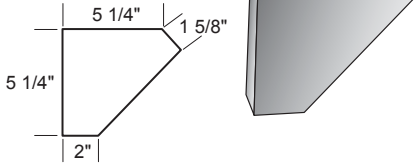
GUTTER CONTINUED



RAKE

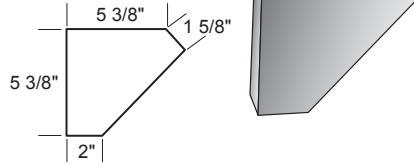
Rake Endcap for 1410-1420

#1122



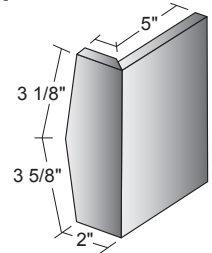
Rake Endcap for 1430

#1130



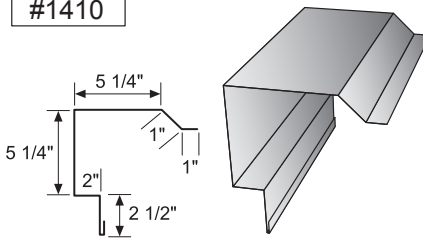
Rake Endcap for 1440

#1140



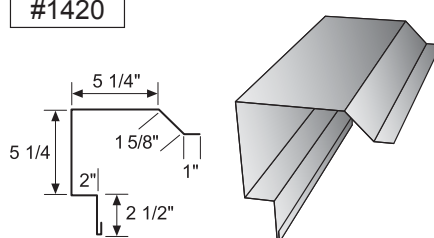
UPN Sculptured Rake

#1410



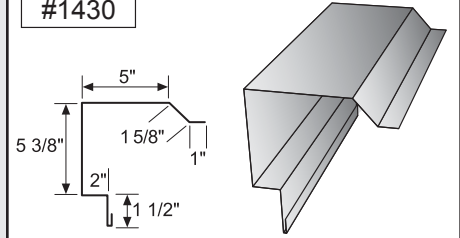
RPN Sculptured Rake

#1420



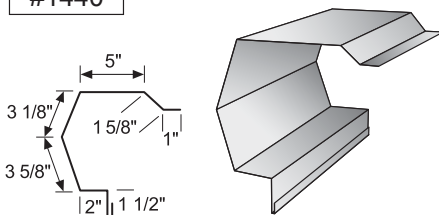
RPN Sculptured Rake

#1430



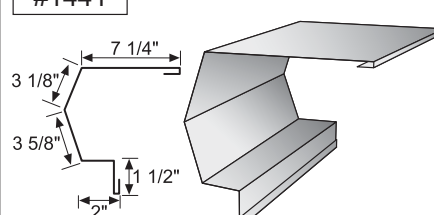
RPN Sculptured Rake Trim

#1440



High Side Eave Trim

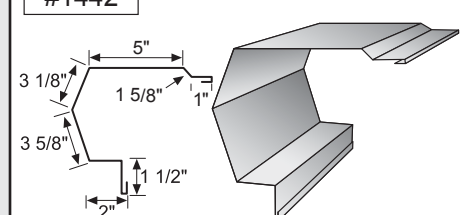
#1441



Pitch Required

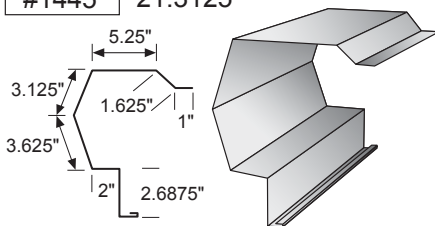
Sculptured Rake w/Hem

#1442



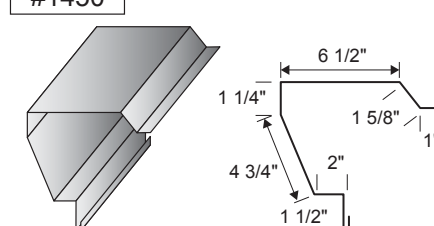
Open EW Rake

#1445 21.3125"



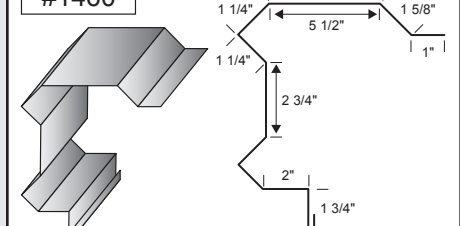
Sculptured Rake Trim

#1450



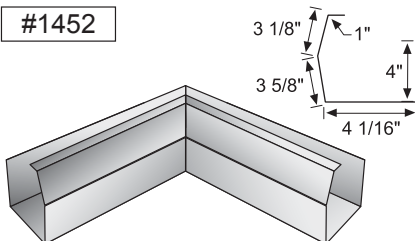
RPN Sculptured Rake Trim

#1460



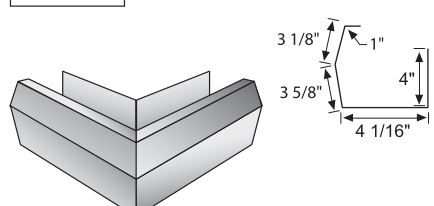
IS Corner Box for #0500 & 0520

#1452



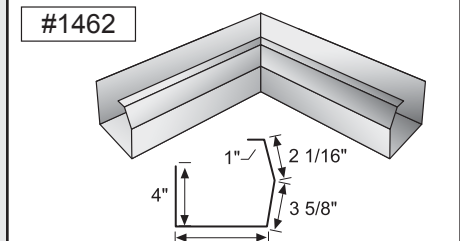
Outside Corner Box for 0500 & 0520

#1453



Inside Corner Box for 0503 & 0523

#1462



RAKE CONTINUED

Outside Corner Box
#1463 for 0503 & 0523

Corner Box for 1440 to 0500-0520
#1471 / 1474

Pitch Required

Partition Rake
#1500

Partition Rake - 13"
#1501

IS Partition Angle - 13"
#1502

Partition Rake
#1503

Lean to Rake Trim
#1448

Lean to Rake Trim
#1449

UPN Sculptured Rake - 17.75"
#1498

VALLEY / TRANSITION

UPN Die Formed Transition
 #1405 Paint on Front
 #1413 Paint on Back

6" 6" 10.5" 6" 2" 2"

Pitch Required

Sidewall to Roof Transition Flashing for RPN
 #1481

3" 4" 1 5/8" 1"

RPN Die Formed Transition
 #1406 Paint on Front
 #1414 Paint on Back

6" 6" 10.5" 6" 2" 2"

Pitch Required

Sidewall to Roof Transition Flashing for UPN
 #1488

4" 4" 1" 1"

SSP Die Formed Transition
 #1409 Paint on Front
 #1417 Paint on Back

6" 6" 9.5" 6" 3/4" 2" 2"

Pitch Required

Transition Flashing
 #1483

4" 6" 4"

Pitch Required

Transition Trim
 #1486

6" 10" 6"

Pitch Required

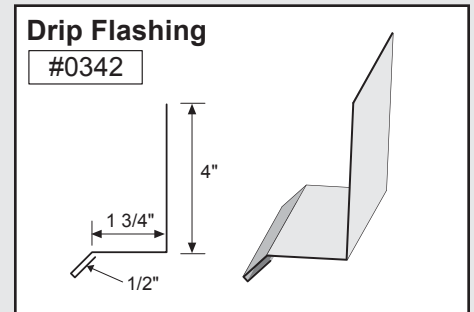
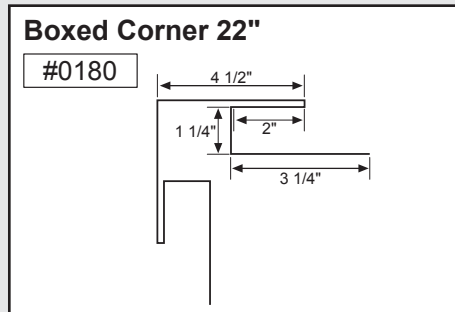
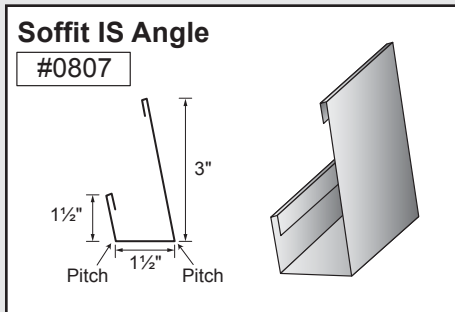
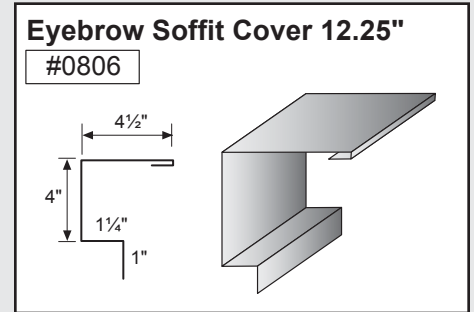
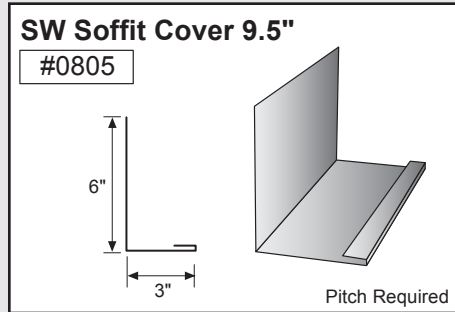
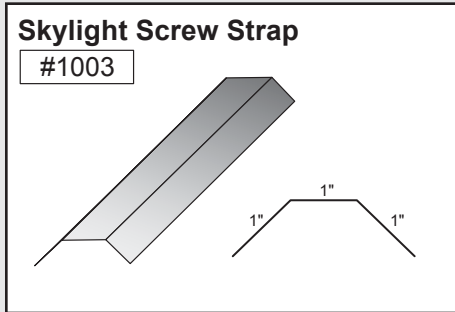
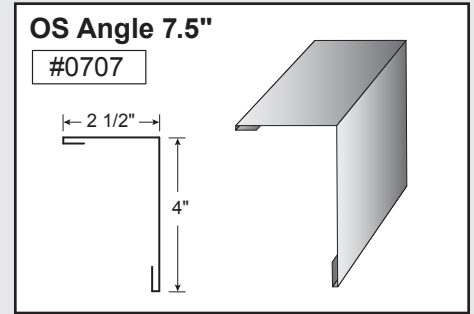
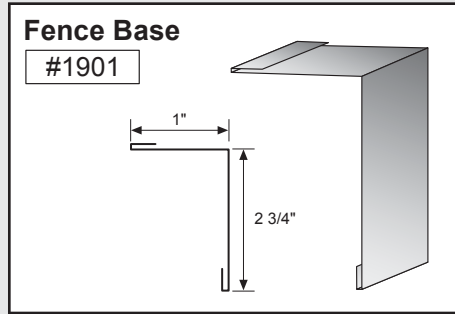
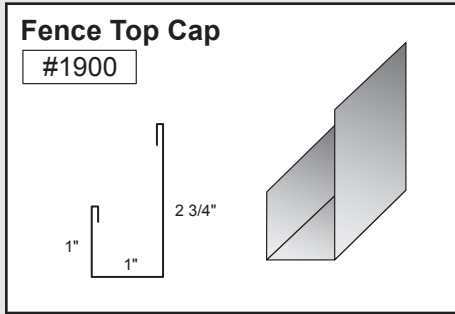
Sidewall to Roof Transition Flashing for CF & AP
 #1489

4" 4" 1 1/4" 1"

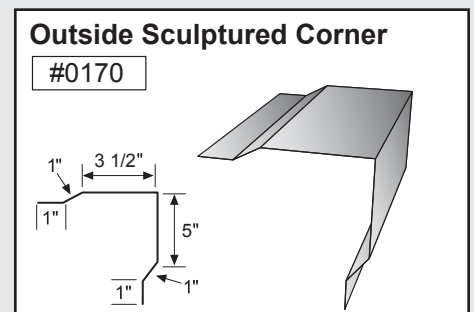
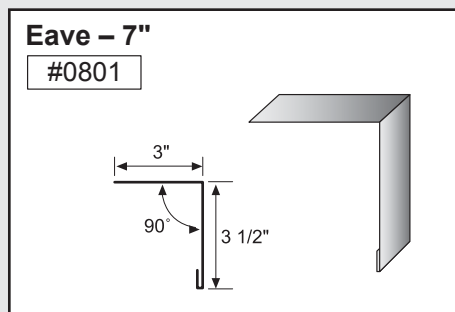
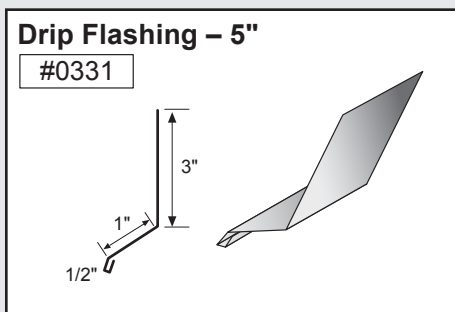
RPN & UPN Valley Flashing
 #0540
 Pitch Required

1 1/2" 10 1/2" 10 1/2"

MISCELLANEOUS



BACKYARD AND GREENHOUSE



BACKYARD AND GREENHOUSE CONTINUED

OS Rake - 12"
#1700

IS Rake - 12"
#1701

RUD Flashing 13.125"
#1702

IS Rake
#1703

Soffit Cover
#1704

Rake
#1705

IS Rake
#1706

<p>CP Rake Trim #1600 - 20 x 20 Carport</p>	<p>CP High Side Rake #1620 - 20 x 20 Carport</p>	<p>CP Low Eave #1640 - 20 x 20 Carport Pitch Required</p>
--	---	--

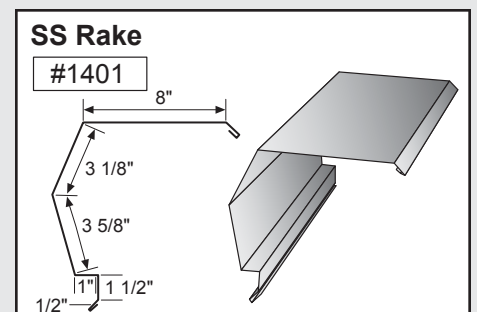
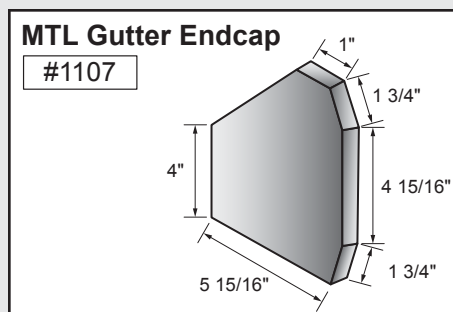
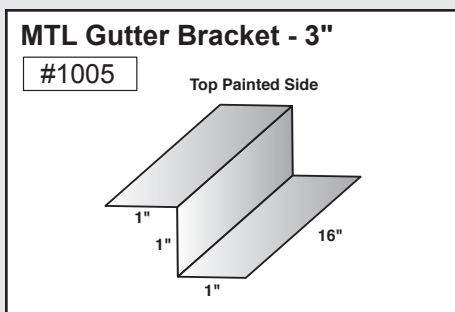
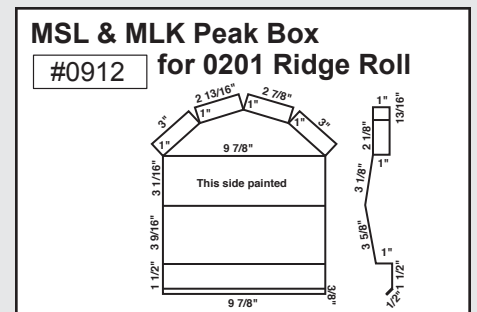
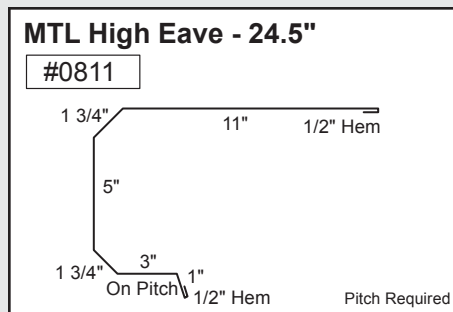
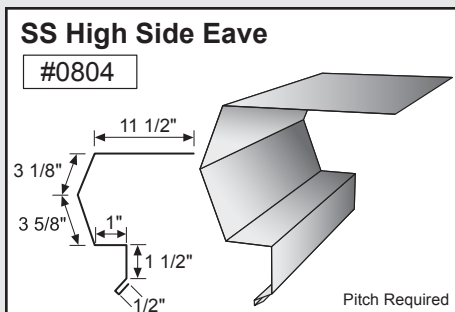
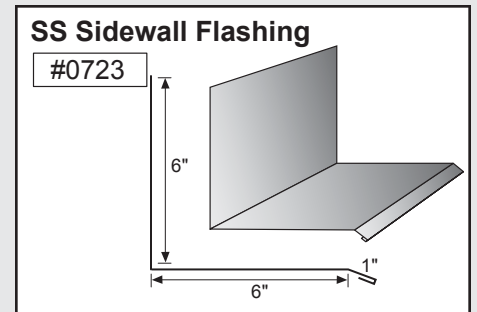
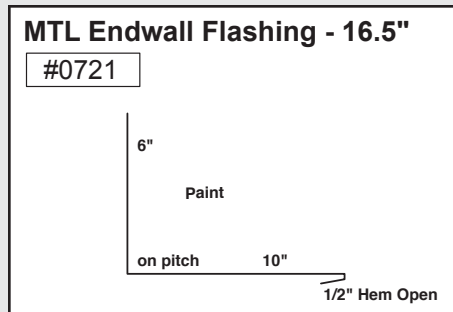
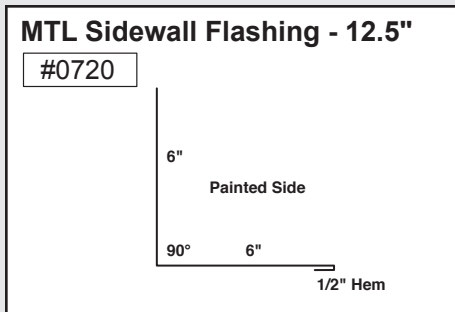
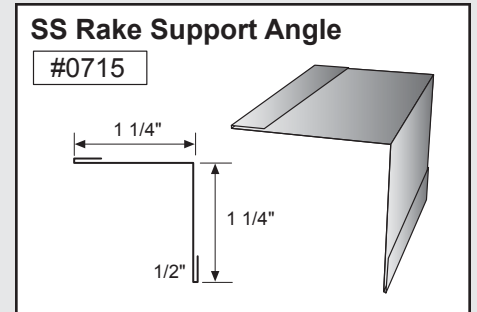
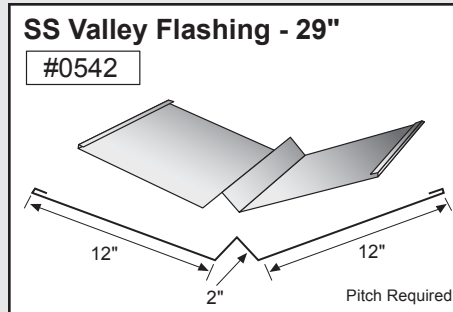
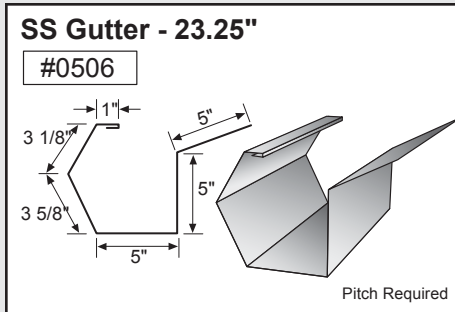
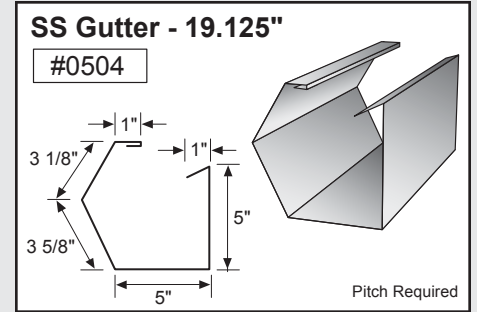
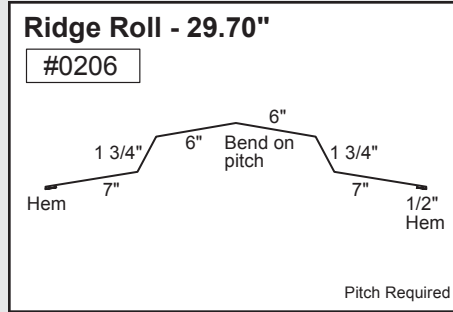
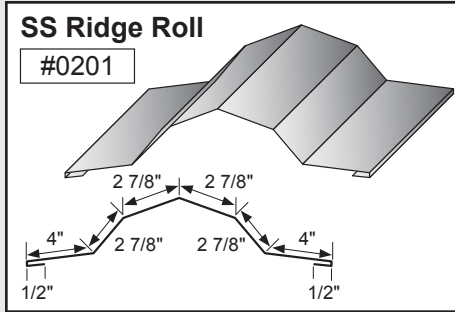
CP Rake Trim
#1610 - 12 x 20 Carport

<p>CP High Side Rake #1630 - 12 x 20 Carport</p>	<p>CP Low Side Eave #1650 - 12 x 20 Carport Pitch Required</p>
---	---

Greenhouse Skylight Screw Strap
#1003

Loafing Shed Rake - 16.375"
#1404

STANDING SEAM



STANDING SEAM CONTINUED

MTL Rake Slide - 3.5"
 #1431

15/16"
 1/2"
 5/8"
 Paint
 1"
 1/2" hem

MTL Rake Support - 5"
 #1432

1"
 3"
 Paint
 1"

MTL Rake - 21.25"
 #1446 For #0509 Gutter

1 3/4" 8" 2 1/2"
 1/2" Hem
 5"
 1 3/4"
 1"
 3/4"

OS Corner Box
 #1454
 For #0506 Gutter

3 1/8" 1"
 5"
 3 5/8" 5 1/16"

IS Corner Box
 #1457
 For #0506 Gutter

3 1/8" 1"
 5"
 3 5/8" 5 1/16"

MTL Corner Box
 #1458

1" 1 3/4"
 4 5/16" 90° 45° 6" 1 3/4" 1" 3/4"

SS MLK Rake Slide
 #1801

3/4" 1/2"
 1 1/2"
 1 1/2"

SS Rake Zee
 #1802

1 1/4"
 2"
 1 1/4"
 This side painted

SS Endwall
 #1803

1/2" 4" 3" 2 7/8"
 This side painted

SS Hip Closure
 #1804

2" 2 3/16"
 2 3/8"
 This side painted

SS MSL Rake Zee
 #1805

1 1/4" 1 3/4"
 1 1/4"
 This side painted

SS MSL End Dam
 #1806

1 3/4" 1 1/8" 14 5/8"
 1 1/8"
 This side painted

MSL Vented End Dam - 14.625"
 #1807

1.125" 1.75" 14.625"
 1.125"

High-quality metal roofing with all the trimmings.

Mueller is pleased to present our high-quality trim components for residential metal roofing.

As you'll see, we offer a wide variety of trim components — from roof rake trim to eave trim, from downspouts to flashing — to give every Mueller metal roof a clean, customized look.

At Mueller, we're known for delivering the finest metal roofing products in the industry, as well as the best service. If we can help you in any way, just give us a call. You can also go online to www.MuellerInc.com for a gallery of photos, full product information, installation manuals, and directions to each of our branches.

Thanks again for choosing Mueller. We look forward to serving you for years to come!

Call
877-2-MUELLER
(877-268-3553)

This toll-free number connects you to one of our 33 sales locations across the Southwest.

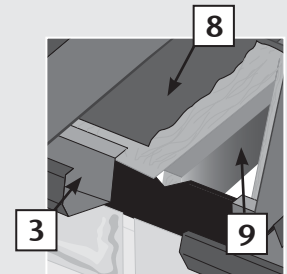
Click
www.MuellerInc.com

Our website offers photos and full product information.

Come by
Our branches are staffed with experts who are always happy to answer any questions you may have.

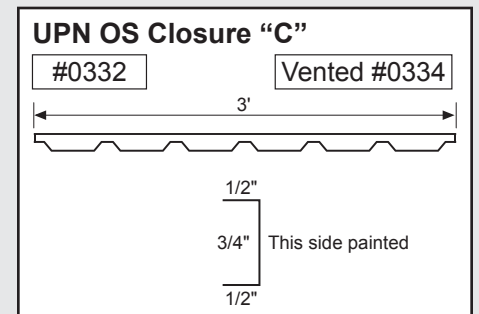
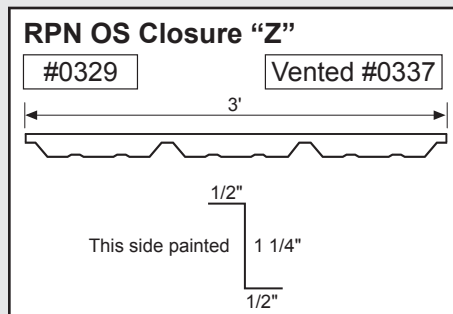
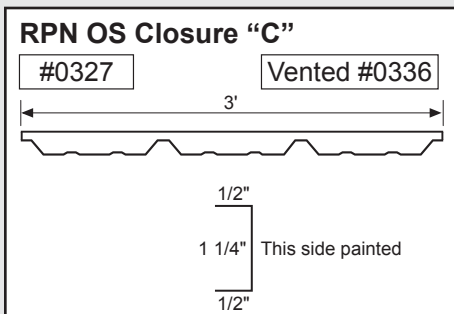
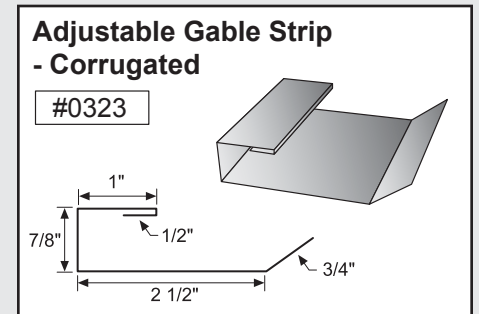
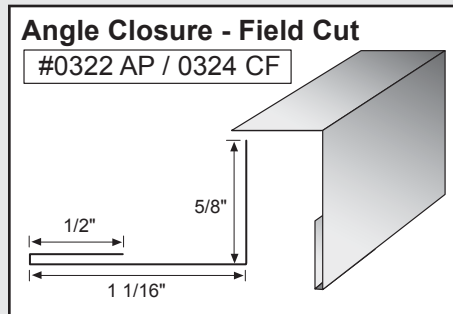
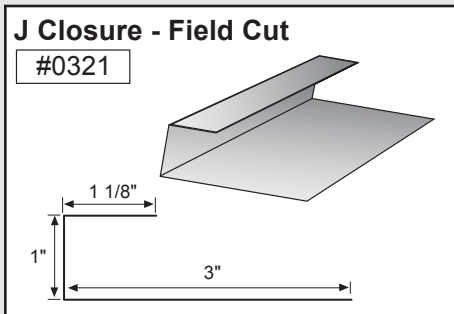


- Ridge Roll or Peak Sheet — 1
- House Roof Rake Trim — 2
- Gutter or Eave Trim — 3
- Downspout — 4
- Wall to Roof Transition — 5
- Valley Flashing — 6
- Metal Closures — 7
- Underlayment — 8
- Decking — 9
- Transition Trim — 10



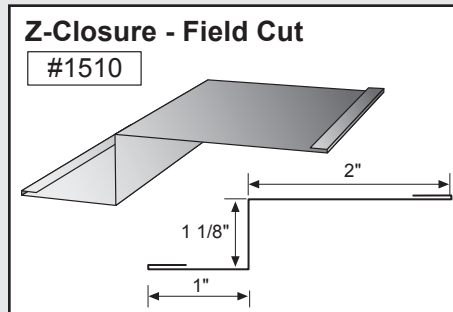
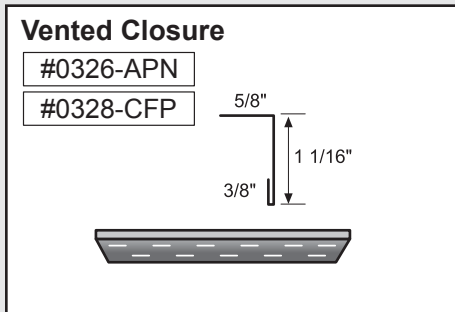
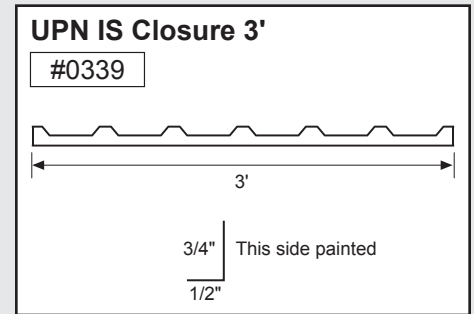
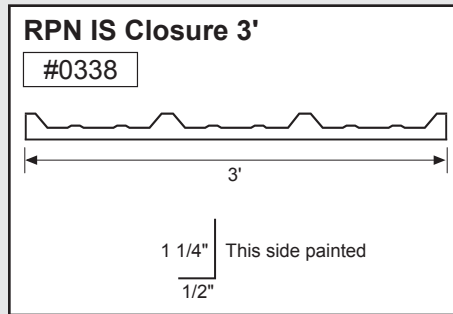
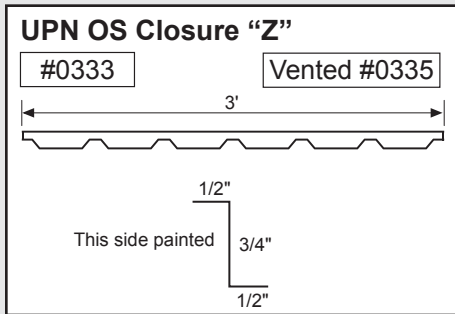
For best results, remove the protective plastic covering from trim components before installation. Please note that exposure to sunlight can make the plastic difficult to remove.

CLOSURES

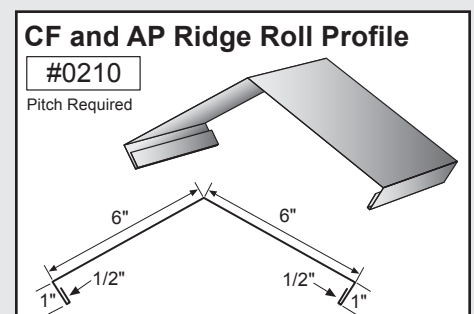
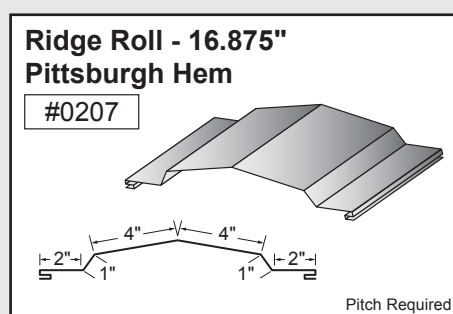
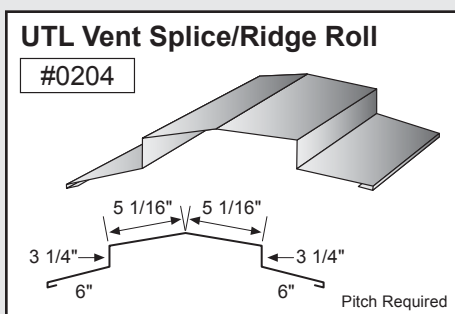
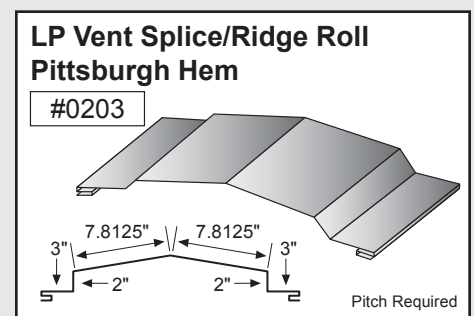
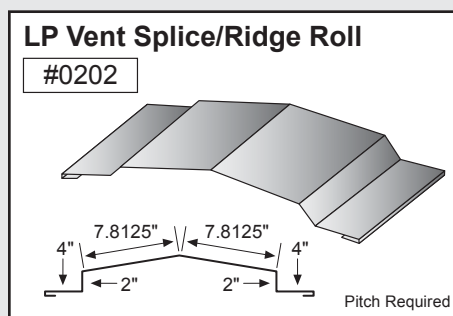
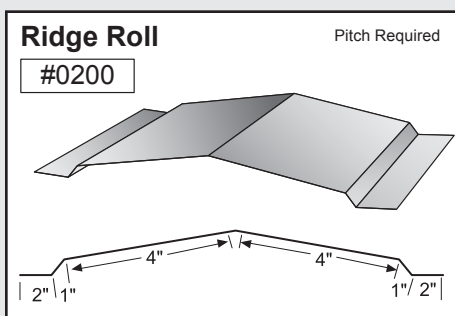


Standard profiles are shown. Need custom shaped profiles? Just contact a Mueller Sales Representative.

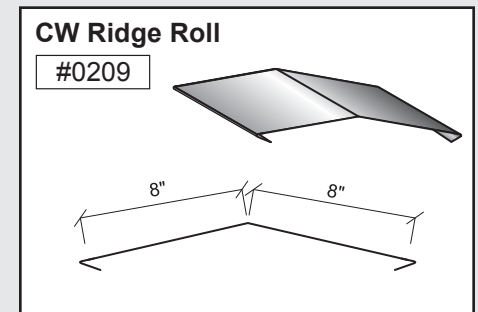
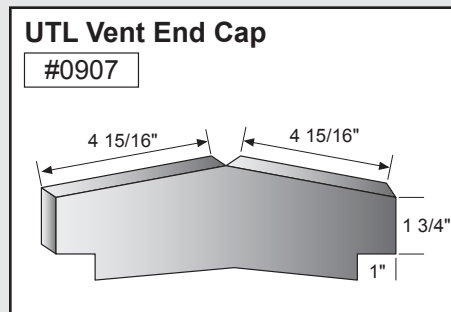
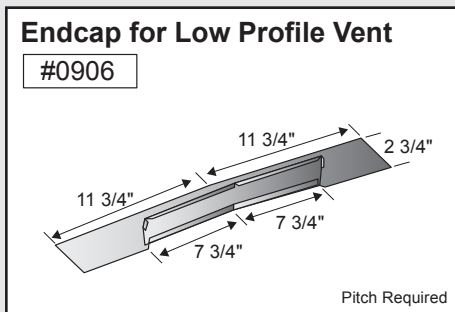
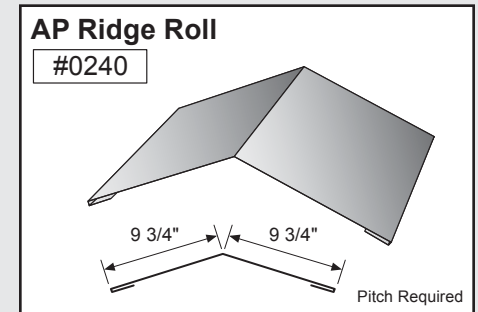
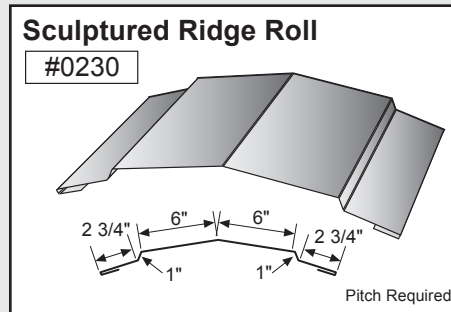
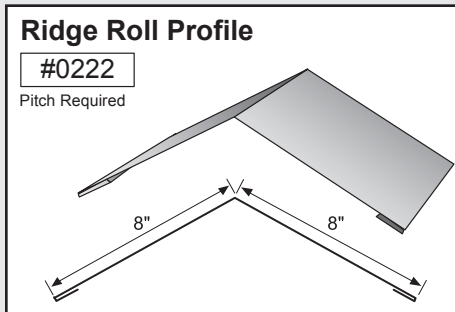
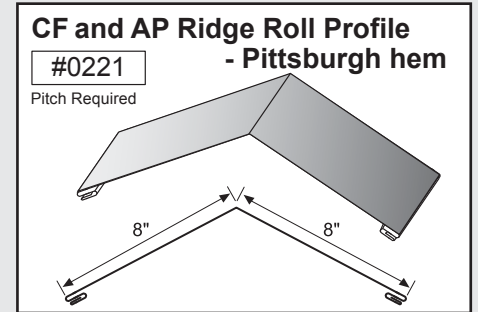
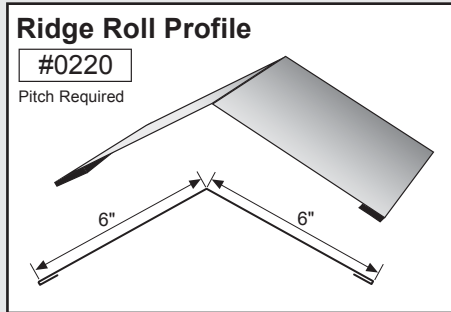
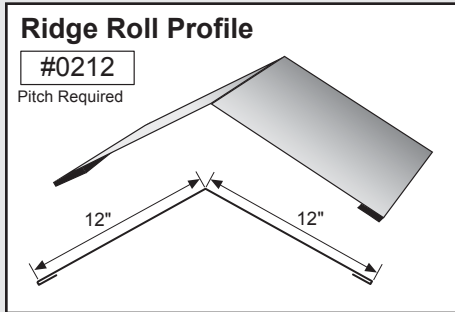
CLOSURES CONTINUED



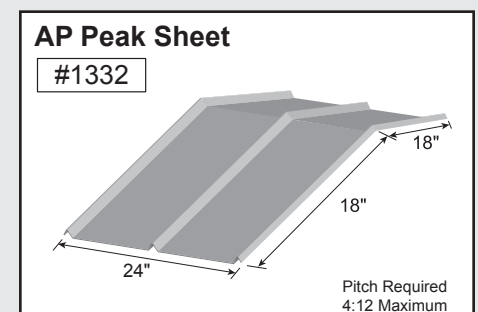
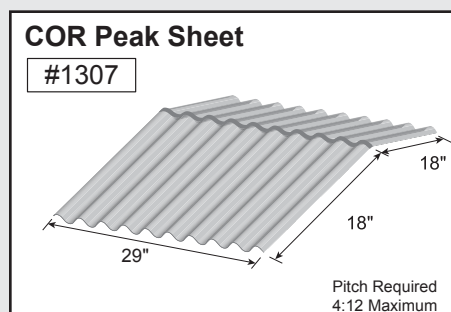
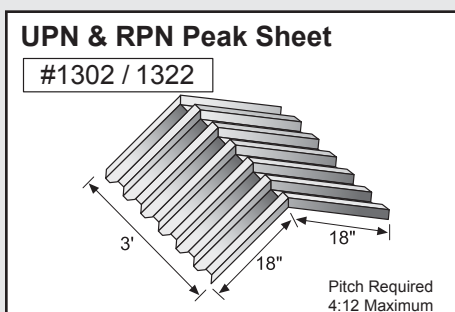
RIDGE ROLL



RIDGE ROLL CONTINUED



PEAK SHEET



ANGLE TRIM

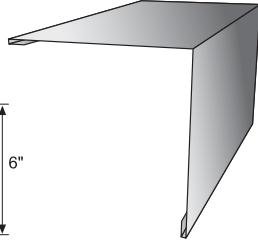
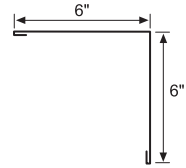
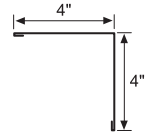
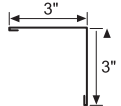
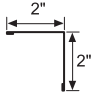
Outside Angle Trim

#0702

#0713

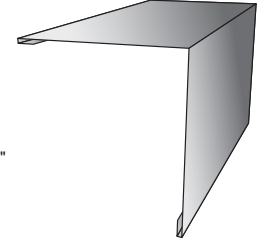
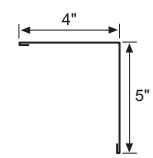
#0704

#0706



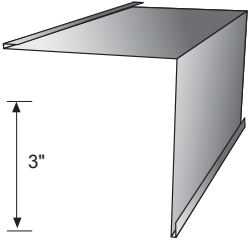
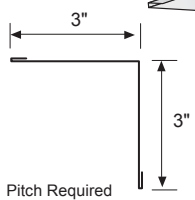
Outside Angle Trim

#0705

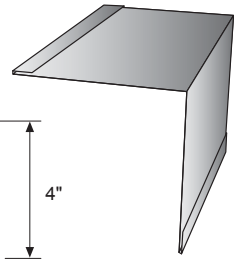
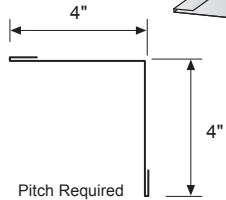


Inside Angle Trim

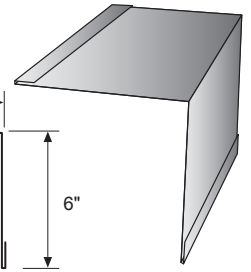
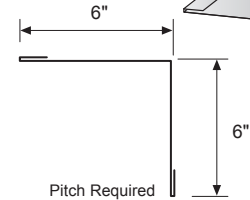
#0703



#0714



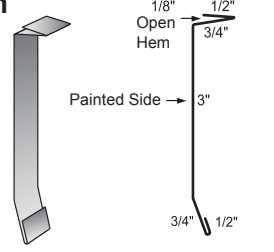
#0716



MISCELLANEOUS

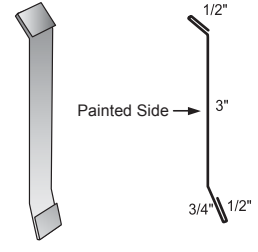
Reglet Trim

#0727



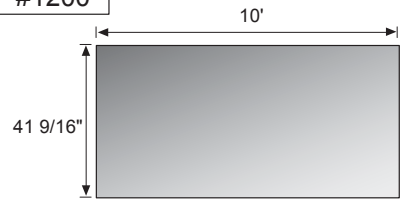
Reglet Trim

#0728



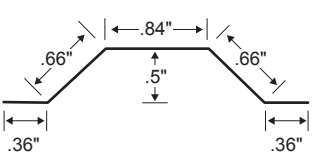
Flat Sheet

#1200



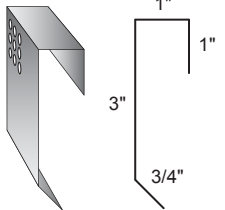
Oil Can Reducing Trim

#1800



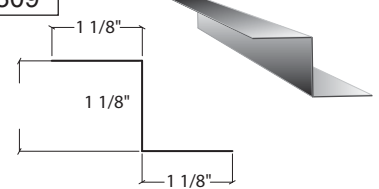
Vented J Trim 10' 5.75"

#1504



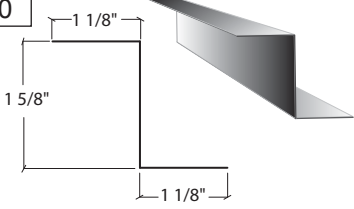
CWP Enddam / Zee

#1809

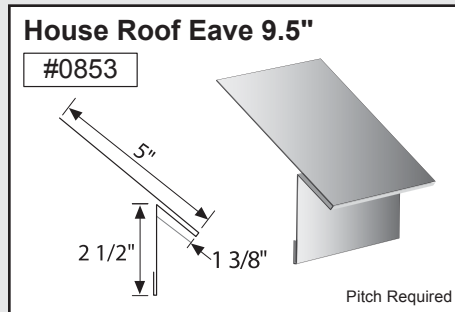
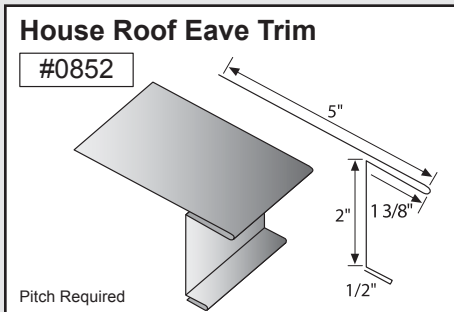
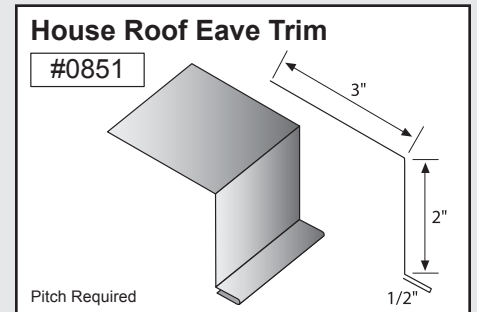
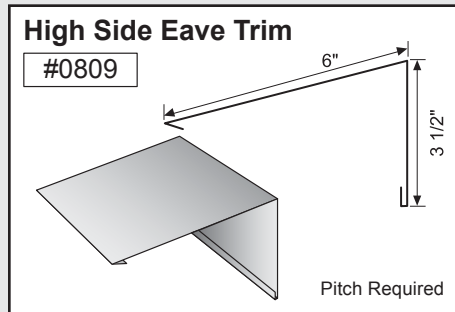
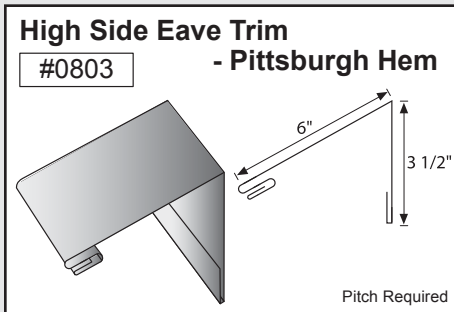
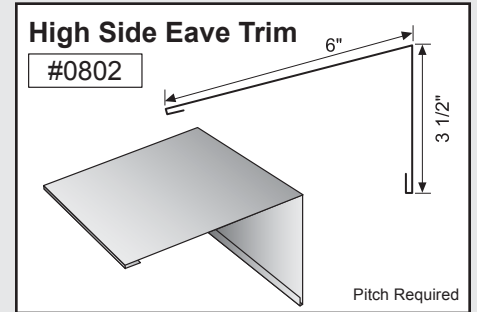
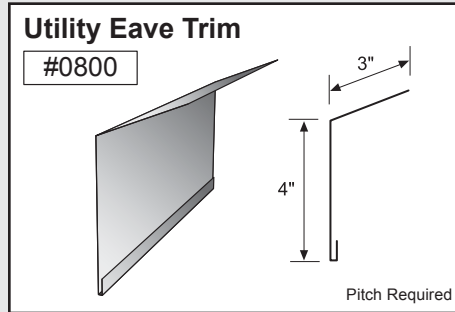
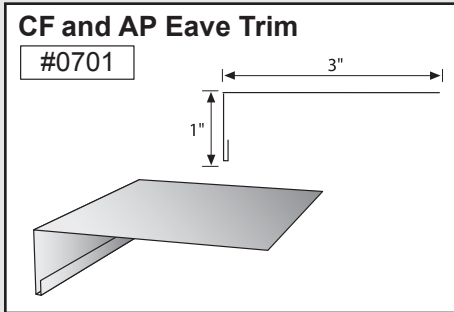


CWH Enddam / Zee

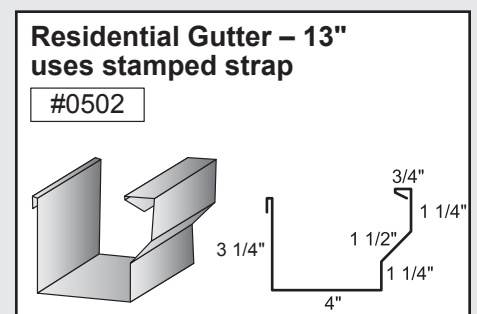
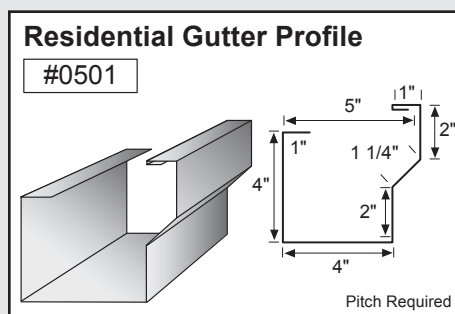
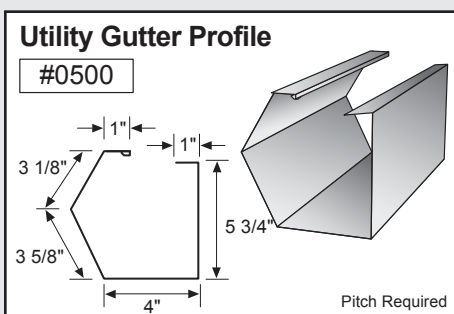
#1810



EAVE TRIM



GUTTER



GUTTER

Utility Gutter
#0503

Pitch Required

Residential Gutter – 13.875"
uses stamped strap
#0505

Sculpted Gutter
#0510

Pitch Required

Sculpted Gutter
#0520

Pitch Required

Sculpted Gutter
#0523

Pitch Required

Gutter Splice
#0524

For 0500/0520 16.938" In GVL Only

Sculptured Downspout
#0630 - crimped on one end

3 1/16" all four sides

Sculptured Elbow
#0640 - crimped on one end

3 1/16" all four sides

Sculptured Sleeve
#0650 - crimped on one end

3 1/16" all four sides

Gutter Strap
#1000

AP Gutter Strap
#1001

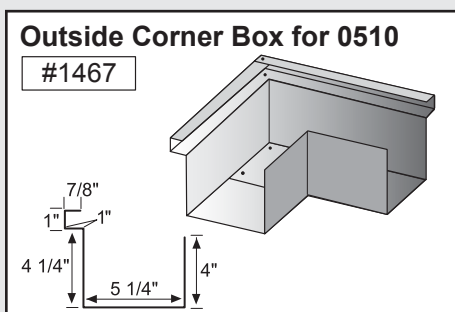
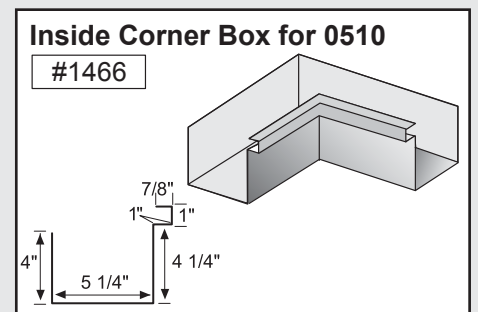
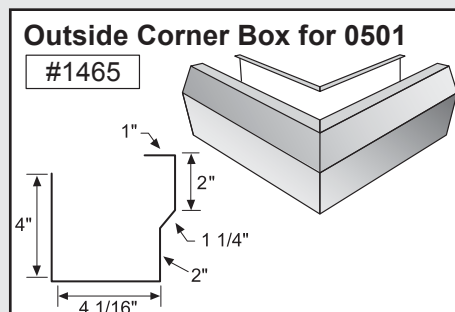
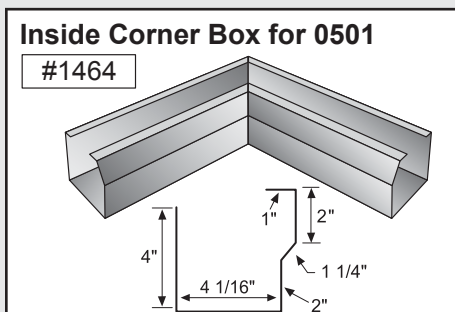
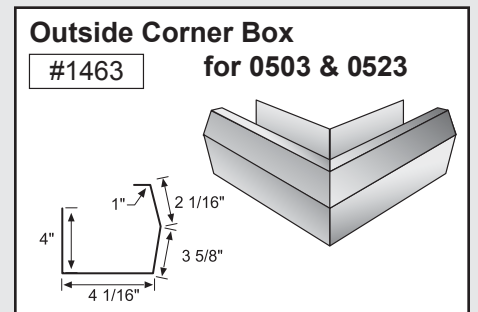
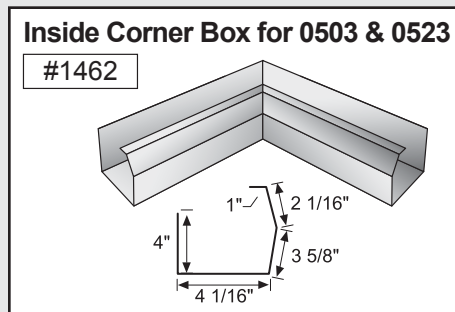
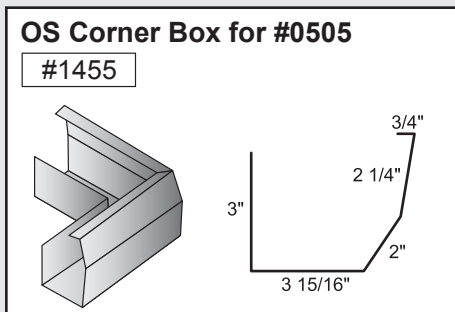
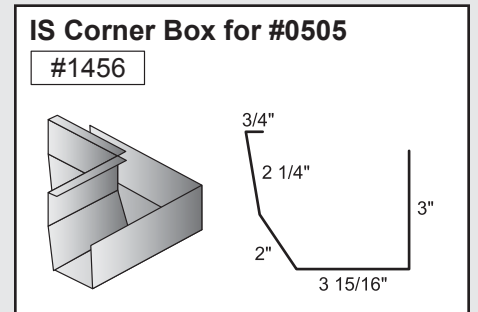
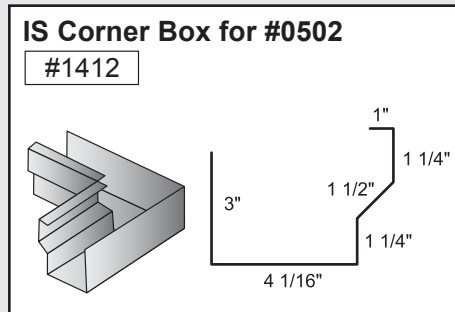
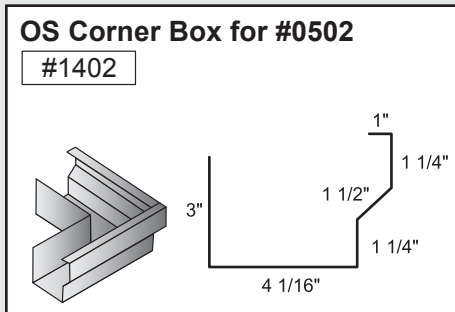
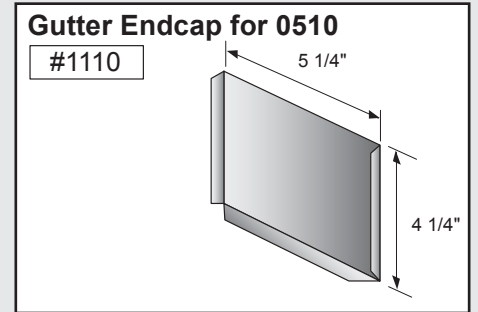
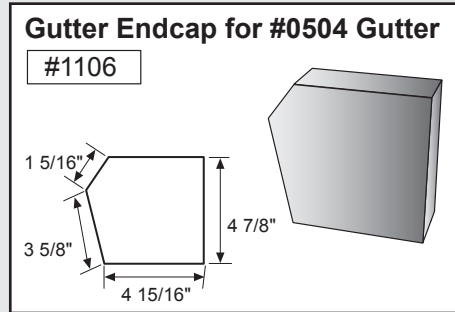
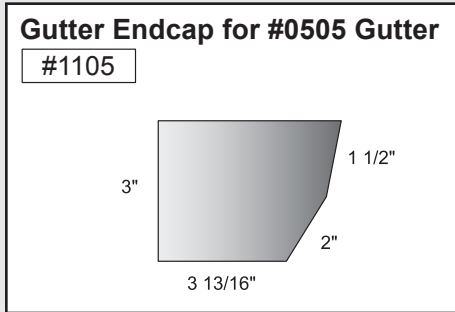
Gutter Strap
#1002

Downspout Strap
#1020

Gutter Endcap for 0501 Gutter
#1101

Gutter Endcap for 0502
#1102

GUTTER CONTINUED



RAKE

House Roof Rake CF & AP
#1470

Adjustable Gable Strip
#1476

Adjustable Gable
#1478

UPN Rake for #0800 Eave
#1479

UPN House Roof Rake
#1480

House Roof Rake
#1490

House Roof Rake CF Profile
#1491

RPN Rake for #0800 Eave
#1492

CF & AP Rake
#1493

For #0800 Eave

House Roof Rake - 11.125"
#1494

House Roof Rake w/Hem
#1495

RPN House Roof Rake w/Hem
#1496

Peak Box for 1470, 1480 and 1490 Rake
#0999

Pitch Required

Adjustable Gable Trim
#1477

UPN Roof Rake - 10"
#1497

VALLEY / TRANSITION

RPN & UPN Valley Flashing
#0540
 Pitch Required

1 1/2"
10 1/2" 10 1/2"

CF and AP Valley Flashing
#0541
 Pitch Required

11" 11"
3/4"

Valley Flashing 20.75"
#0543
 Pitch Required

3/4"
9 5/8" 9 5/8"

Sidewall Flashing
#0724

4" 4"

Wall to Roof Flashing - Pittsburgh hem
#0725
 Pitch Required

4" 6"

Endwall to Roof Flashing
#0726
 Pitch Required

4" 6"

Uphill Chimney Flashing
#0761
 Pitch Required

6" 18"

Chimney Flashing Side
#0762

6" 4"

Sidewall to Roof Transition Flashing for RPN
#1481

3" 4" 1 5/8" 1"

Transition Flashing
#1483
 Pitch Required

4" 6"

Transition Trim Profile
#1418

6" 10"

Endwall to Roof Flashing CW
#1419
 Pitch Required

4" 6"

Sidewall Flashing CW
#1421

4" 4"

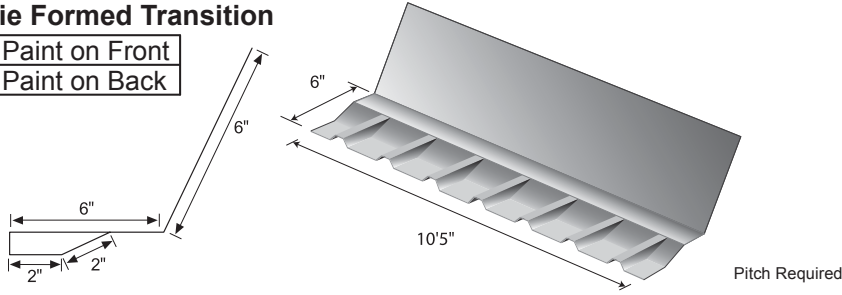
Valley Cleat
#1499

1 1/8" 1" 1 1/8"

VALLEY / TRANSITION CONTINUED

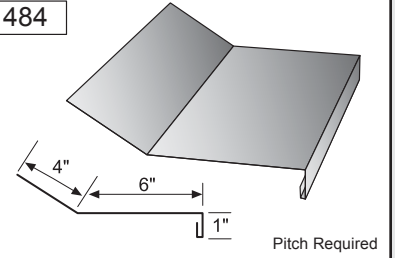
UPN Die Formed Transition

#1405 Paint on Front
#1413 Paint on Back



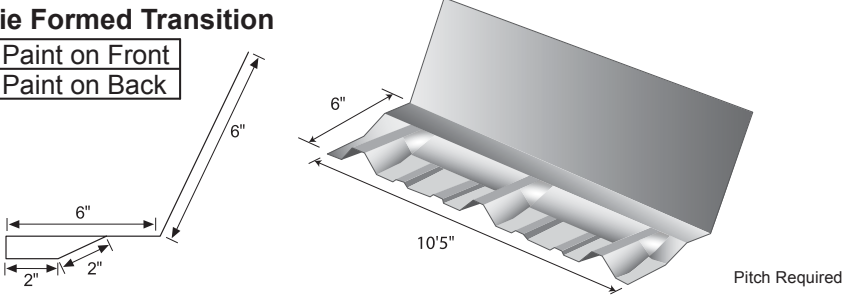
Transition Flashing

#1484



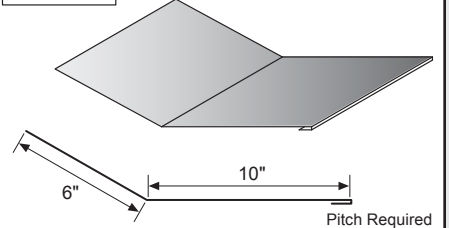
RPN Die Formed Transition

#1406 Paint on Front
#1414 Paint on Back



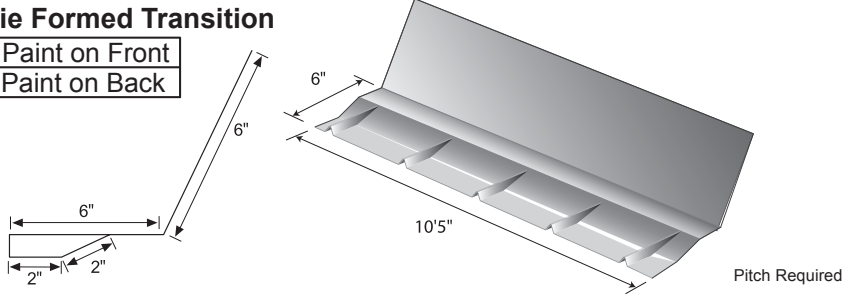
Transition Trim

#1486



APN Die Formed Transition

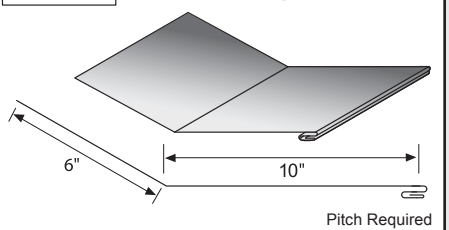
#1407 Paint on Front
#1415 Paint on Back



Transition Trim Profile

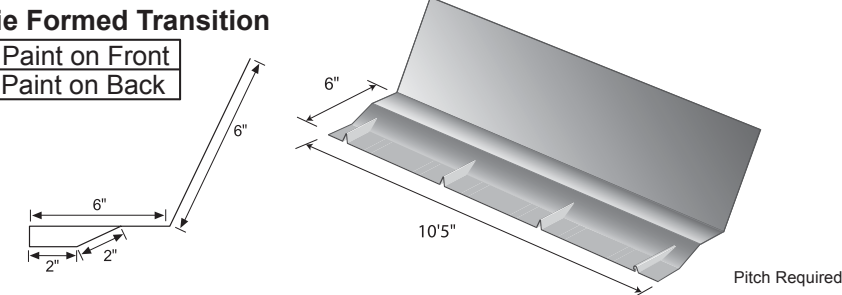
#1487

- Pittsburgh Hem



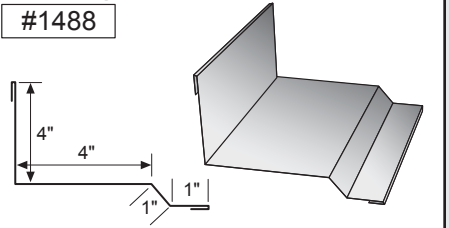
CFP Die Formed Transition

#1408 Paint on Front
#1416 Paint on Back



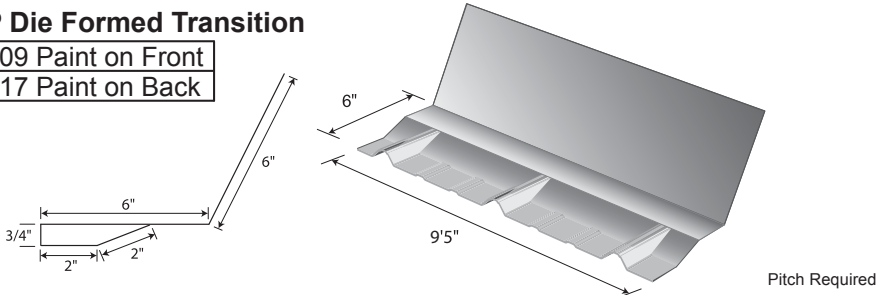
Sidewall to Roof Transition Flashing for UPN

#1488



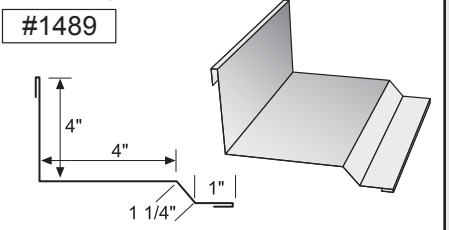
SSP Die Formed Transition

#1409 Paint on Front
#1417 Paint on Back



Sidewall to Roof Transition Flashing for CF & AP

#1489



RESIDENTIAL METAL ROOFING:

STANDING SEAM, CFS, CF, AP, R, U & SSP PANELS

If you've seen a metal roof on a home in your area, you know how great they look. Metal roofs are eye-catching and attractive, providing a distinctive design element for your home's exterior. Mueller offers a variety of color and panel choices, giving you the flexibility for the look you want. Plus, there are numerous practical reasons to invest in a metal roof:

- Curb Appeal
- Durability
- Weather Resistance
- Energy Efficiency
- Possible Insurance Savings
- Environmental Benefits
- Low Maintenance

STEEL BUILDINGS:

BACKYARD BUILDINGS

Mueller's backyard metal buildings are easy to assemble and come in six sizes from 6' x 9' x 7' to 24' x 24' x 8'. All kits include: a bolt together steel frame, choice of wall and trim colors, and a 30-year limited paint warranty. Optional floor kits provide a finishing touch.

PRE-ENGINEERED BUILDING KITS

Select from our pre-engineered building kits to best fit your application, job site, and installation goals. Standard Series kits made from heavy-duty structural steel offer flexible, economic spaces, while our Kits built with Hypersteel™ buildings take your project from design to installation in just weeks. Whether you need a workshop, garage, barn or large storage space, you simply can't go wrong with these pre-engineered steel building kits.

CUSTOM BUILDINGS

For a structure that will meet your requirements, design your own Custom Building from Mueller. These outstanding buildings open up many options to you including roof type, building size, colors and accessories. For a custom online quote, visit www.MuellerInc.com.



At Mueller, we always do everything we can to satisfy our customers. The following sales policies are standard practice in our industry, and are in place to help us run our business smoothly and successfully.

PRICES: Due to market fluctuation, quoted prices are valid for a limited time only. Please visit one of our branches or call our toll free number 877-2-MUELLER for current prices. Customer shall be responsible for and pay any and all taxes and fees imposed upon or on account of any materials, goods, or services, except taxes required by law to be paid or borne by Mueller, Inc.

RETURNS: All returned items are subject to a standard restocking charge to be determined by Mueller, Inc. Restocking charges will be determined by the condition of the material and its suitability for resale. All returns must be accompanied by an invoice. All special trim will have no return value. Standard trim will have reject value only unless special circumstances apply. Special ordered items will be returned only at Mueller discretion.

STORAGE POLICY: Because of limited storage space, Mueller, Inc. will store custom fabricated material only for a reasonable amount of time. After this, notice will be sent that material must be either picked up or delivered within 10 days, or it will be placed in stock with the deposit forfeited and/or a restocking charge imposed.

SHIPPING: Mueller, Inc. will make every effort to meet requested shipping dates; however, Mueller, Inc. assumes no responsibility for or loss of any kind sustained by customer because of any unforeseen inability to meet shipping dates. Please allow as much shipping time as possible.

TELEPHONE ORDERS: Customer assumes full responsibility for the accuracy of telephone orders if written confirmation is not received prior to release of the order for manufacturing. Customer may request a written confirmation, with the understanding that the manufacturing process will be delayed.

PACKAGING CHARGES: Trim orders, to be delivered, will be wrapped in a protective plastic, free of charge. If cardboard shipping boxes are required or requested, a charge of \$2.50 per linear foot (\$25.00 minimum) will be added to the order. Each bundle will not exceed 300 lbs. Cover sheets will be placed on all bundles of sheets that are warrantied. A charge of \$15.00 per bundle up to 15' in length and \$30.00 per bundle over 15' in length will be added to the order. Each bundle will not exceed 3,000 lbs.

DELIVERY OPTIONS: Mueller, Inc. offers two delivery options:

1. A direct delivery is the option that provides the most accurate, convenient service. Orders will be delivered on a Mueller truck and the exact delivery day can be scheduled in advance. A direct delivery fee is determined by the miles from Mueller's shipping point to the customer's job site times a mileage rate. *Note: Mueller cannot be held responsible for delivery times affected by events outside of our control (weather, road construction, etc.)
2. A drop delivery is the option that provides the greatest economy. Multiple orders will be loaded and shipped together on a Mueller truck in order to minimize shipping costs per order. The delivery fee is based on a minimum charge by mileage. The exact delivery day cannot be determined in advance but a delivery time range will be established prior to shipping. Due to multiple orders shipping together on one trailer, unloading might require extra material handling.

NOTE: It is the responsibility of the customer to be prepared with the necessary manpower and/or equipment to receive materials delivered by Mueller, Inc. Construction site must be safely accessible for Mueller equipment. Mueller personnel will have final determination on job site accessibility.

If third party carriers are used, orders must be prepaid. Customers are responsible for offloading material.

PICK UP ORDERS: It is the customer's responsibility to secure material to their vehicle.

CANCELLATIONS: Cancellation of a manufactured order after production has begun will be subject to restocking charges.

PROTECTING MATERIAL AFTER DELIVERY: Mueller takes every precaution to deliver your material in #1 condition. Any shipping damage should be noted with the driver. Mueller cannot be responsible for storage or handling damage to material after the delivery. The owner should follow the recommended storage procedures.



EASY ON-SITE FORKLIFT DELIVERY AVAILABLE

PART #	PAGE #	PART #	PAGE #	PART #	PAGE #	PART #	PAGE #
#0110	3	#0501	8, 23	#0912	16	#1460	11
#0111	3	#0502	23	#0920	8	#1462	11, 25
#0120	3	#0503	24	#0930	8	#1463	12, 25
#0130	3	#0504	16	#0940	8	#1464	25
#0140	3	#0505	24	#0999	8, 26	#1465	25
#0150	3	#0506	16	#1000	9, 24	#1466	25
#0151	4	#0507	8	#1001	24	#1467	25
#0152	4	#0508	9	#1002	24	#1470	26
#0160	4	#0510	24	#1003	14, 15	#1471	12
#0161	4	#0520	9, 24	#1005	16	#1473	10
#0162	4	#0523	9, 24	#1010	9	#1474	12
#0163	4	#0524	9, 24	#1020	24	#1476	26
#0170	14	#0540	13, 27	#1100	10	#1477	26
#0180	14	#0541	27	#1101	24	#1478	26
#0200	5, 20	#0542	16	#1102	24	#1479	26
#0201	16	#0543	27	#1103	10	#1480	26
#0202	5, 20	#0610	9	#1105	25	#1481	13, 27
#0203	5, 20	#0613	9	#1106	25	#1483	13, 27
#0204	5, 20	#0620	9	#1107	16	#1484	28
#0206	16	#0621	9	#1110	25	#1486	13, 28
#0207	20	#0622	9	#1111	10	#1487	28
#0209	21	#0623	9	#1122	11	#1488	13, 28
#0210	20	#0624	9	#1130	11	#1489	13, 28
#0212	5, 21	#0630	24	#1140	11	#1490	26
#0220	21	#0633	9	#1200	22	#1491	26
#0221	5, 21	#0640	24	#1302	5, 21	#1492	26
#0222	5, 21	#0643	9	#1307	5, 21	#1493	26
#0230	5, 21	#0650	24	#1322	5, 21	#1494	26
#0240	5, 21	#0701	23	#1332	5, 21	#1495	26
#0300	6	#0702	7, 22	#1401	16	#1496	26
#0302	6	#0703	7, 22	#1402	25	#1497	26
#0303	6	#0704	7, 22	#1404	15	#1498	12
#0310	6	#0705	7, 22	#1405	13, 28	#1500	12
#0320	6	#0706	7, 22	#1406	13, 28	#1501	12
#0321	19	#0707	14	#1407	28	#1502	12
#0322	19	#0713	7, 22	#1408	28	#1503	12
#0323	19	#0714	7, 22	#1409	13, 28	#1504	22
#0324	19	#0715	16	#1410	11	#1510	20
#0326	20	#0716	7, 22	#1412	25	#1600	15
#0327	4, 19	#0720	16	#1413	13, 28	#1610	15
#0328	20	#0721	16	#1414	13, 28	#1620	15
#0329	4, 19	#0723	16	#1415	28	#1630	15
#0330	6	#0724	27	#1416	28	#1640	15
#0331	14	#0725	27	#1417	13, 28	#1650	15
#0332	4, 19	#0726	27	#1418	27	#1700	15
#0333	4, 20	#0727	22	#1419	27	#1701	15
#0334	4, 19	#0728	22	#1421	27	#1702	15
#0335	4, 20	#0761	27	#1499	27	#1703	15
#0336	4, 19	#0762	27	#1420	11	#1704	15
#0337	4, 19	#0800	8, 23	#1430	11	#1705	15
#0338	4, 20	#0801	14	#1431	17	#1706	15
#0339	4, 20	#0802	23	#1432	17	#1800	22
#0340	6	#0803	23	#1440	11	#1801	17
#0341	6	#0804	16	#1441	11	#1802	17
#0342	14	#0805	14	#1442	11	#1803	17
#0350	6	#0806	14	#1445	11	#1804	17
#0351	6	#0807	14	#1446	17	#1805	17
#0352	7	#0809	23	#1448	12	#1806	17
#0360	6	#0810	8	#1449	12	#1807	17
#0380	6	#0811	16	#1450	11	#1809	22
#0382	6	#0813	8	#1452	11	#1810	22
#0400	6	#0814	8	#1453	11	#1900	14
#0410	6	#0851	23	#1454	17	#1901	14
#0420	6	#0852	23	#1455	25		
#0430	6	#0853	23	#1456	25		
#0440	6	#0906	5, 21	#1457	17		
#0500	8, 23	#0907	5, 21	#1458	17		

Find out more about Mueller products

Call **877-2-MUELLER**
(877-268-3553)

This toll-free number connects you to one of our sales locations across the Southwest.

Click **www.MuellerInc.com**

Our interactive website offers photos and all the details of our metal products.

Come By **Branch Locations**

Our branches are staffed with experts who are always happy to answer any questions you may have.



steel building & residential metal roofing trim components



IronClad Guarantee

TRIM CATALOG REV. 09/22