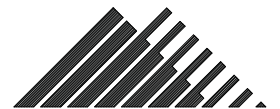
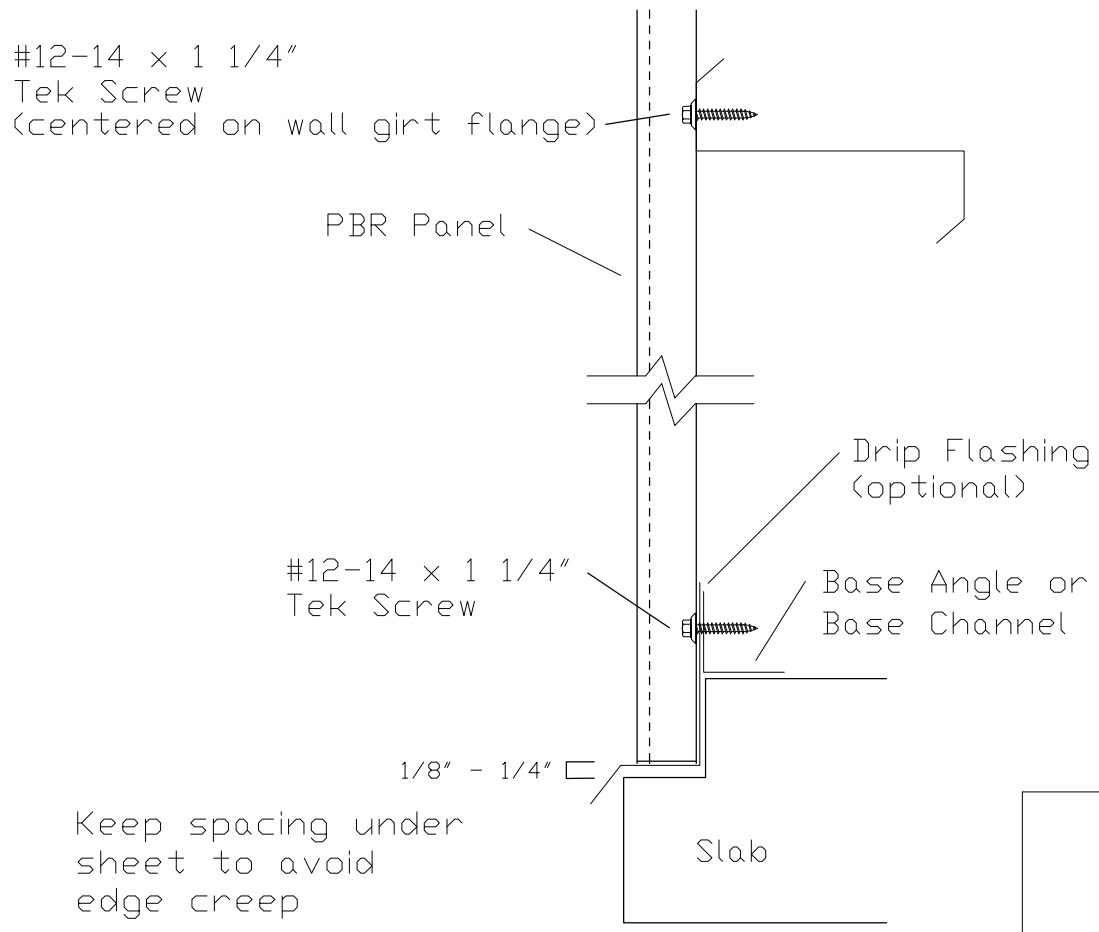
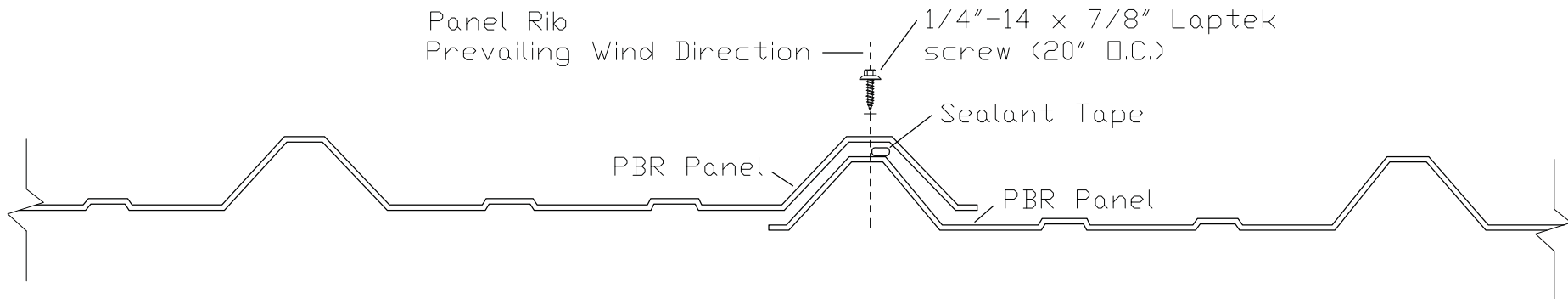


MUELLER, INC.
STEEL BUILDING SYSTEMS & COMPONENTS

1913 Hutchins Ave. Ballinger, TX 76821
(800) 527-1087 (325) 365-8103 (Fax)



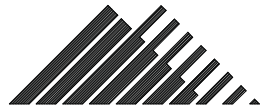
DESCRIPTION					PBR Wall - Top of Wall		REF: PG E-16		
DRN. BY	CK'D BY	DATE	SCALE	SALESMAN	JOB NO.	SHEET NO.	REV.		
PDC		06/05/17	NONE	Phillip Colombo					



Keep spacing under sheet to avoid edge creep

MUELLER, INC.
STEEL BUILDING SYSTEMS & COMPONENTS

1913 Hutchins Ave. Ballinger, TX 76821
(800) 527-1087 (325) 365-8103 (Fax)



DESCRIPTION					PRB - Wall Panel Attachment		REF: PG 7 & 8	
DRN. BY	CK'D BY	DATE	SCALE	SALESMAN	JOB NO.	SHEET NO.	REV.	
PDC		06/05/17	NONE	Phillip Colombo				