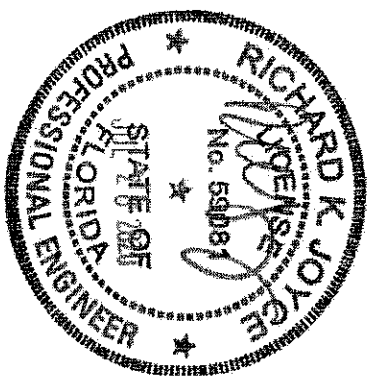


1/4-14 x 1-1/4" HWH Shoulder Screw
(At 24 D.C. in remaining slots)

1/4-14 x 1 1/4" Tek Screw
(At first slot from eave only)

Notch rake plate to
clear eave plate

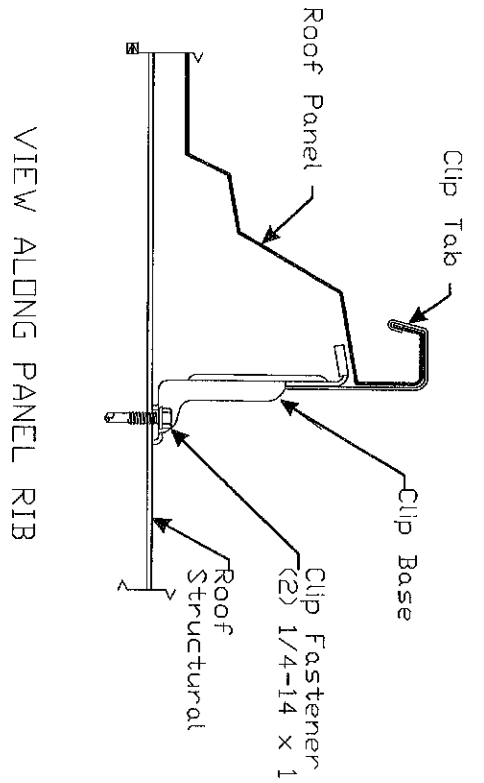


MUELLER, INC.

STEEL BUILDING SYSTEMS & COMPONENTS
1913 Hutchins Ave. Bolinger, TX 76821
(800) 527-1087 (325) 365-8103 (Fax)

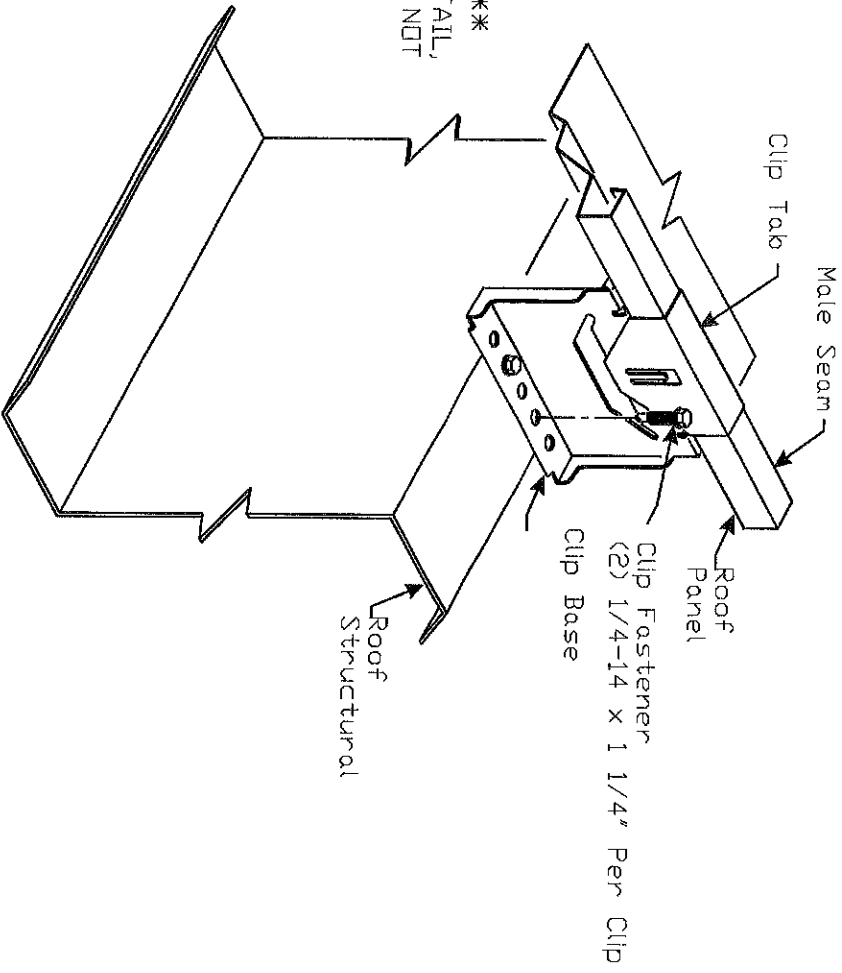


DESCRIPTION	MTL - Edge Plate					REF. PG 29	SHEET NO.	REV.
DRN. BY	OKD BY	DATE	SCALE	SALESMAN	JOB NO.			
PHC		06/05/17	NONE	Phillip Colorado				



VIEW ALONG PANEL RIB

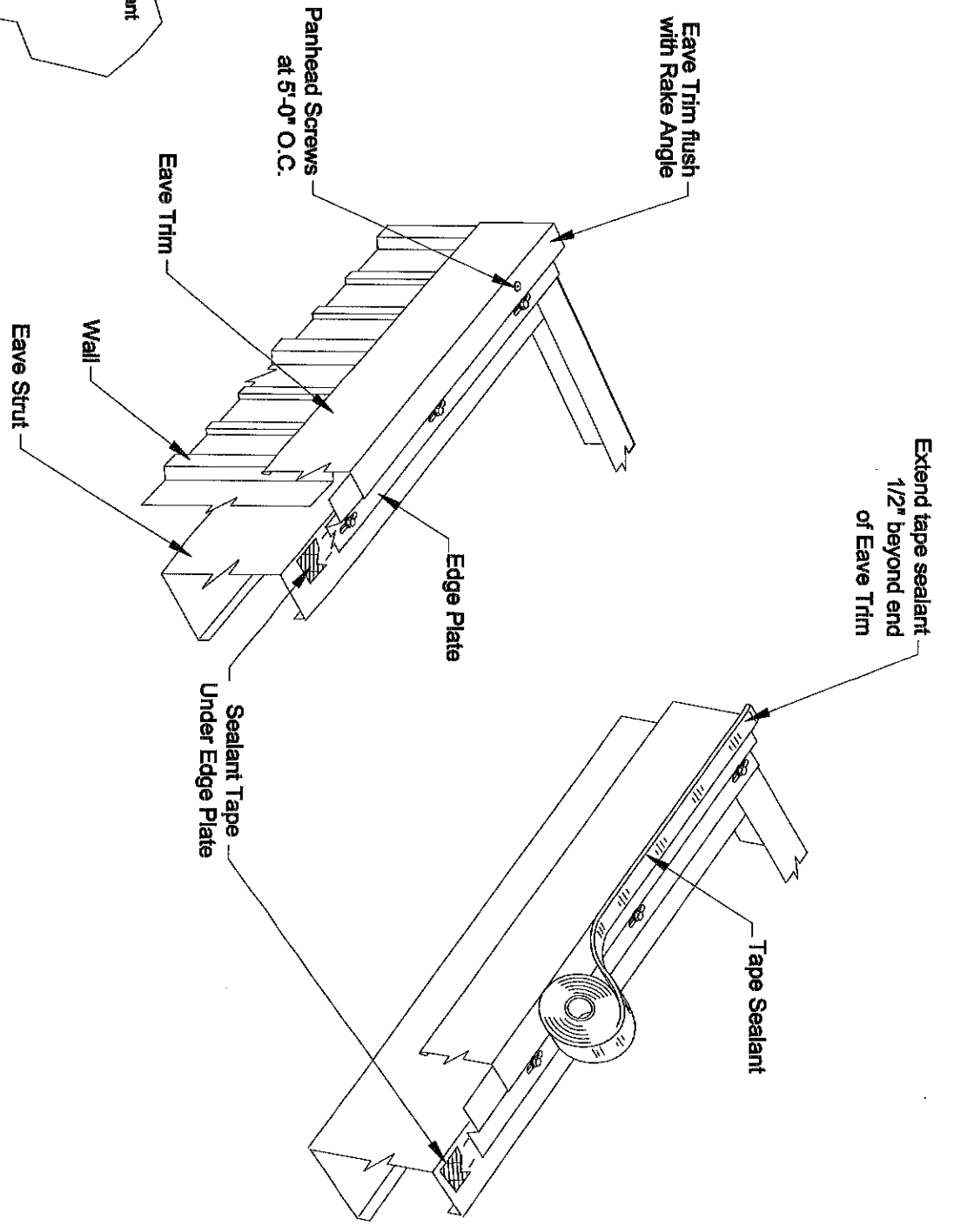
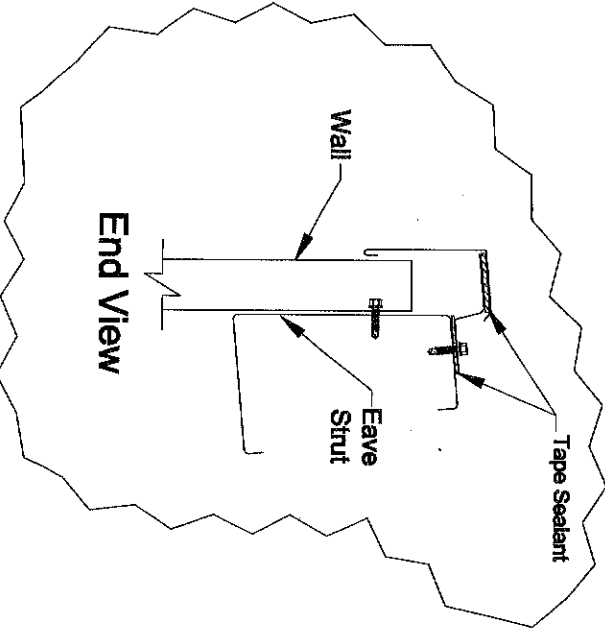
*** NOTE ***
 FOR CLARITY OF DETAIL,
 ROOF INSULATION IS NOT
 SHOWN



NOTE: (3) FASTENERS PER CLIP FOR 22 GAUGE

MUELLER, INC.
 STEEL BUILDING SYSTEMS & COMPONENTS
 1913 Hutchins Ave. Boltinger, TX 76821
 (800) 527-1087 (325) 365-8103 (Fax)

DESCRIPTION	MTL - Panel Clips			REF: pg 41	JOB NO.	SHEET NO.	REV.
DRN. BY	CKD BY	DATE	SCALE	SALESMAN			
PDC		06/05/17	NONE	Phillip Colombo			



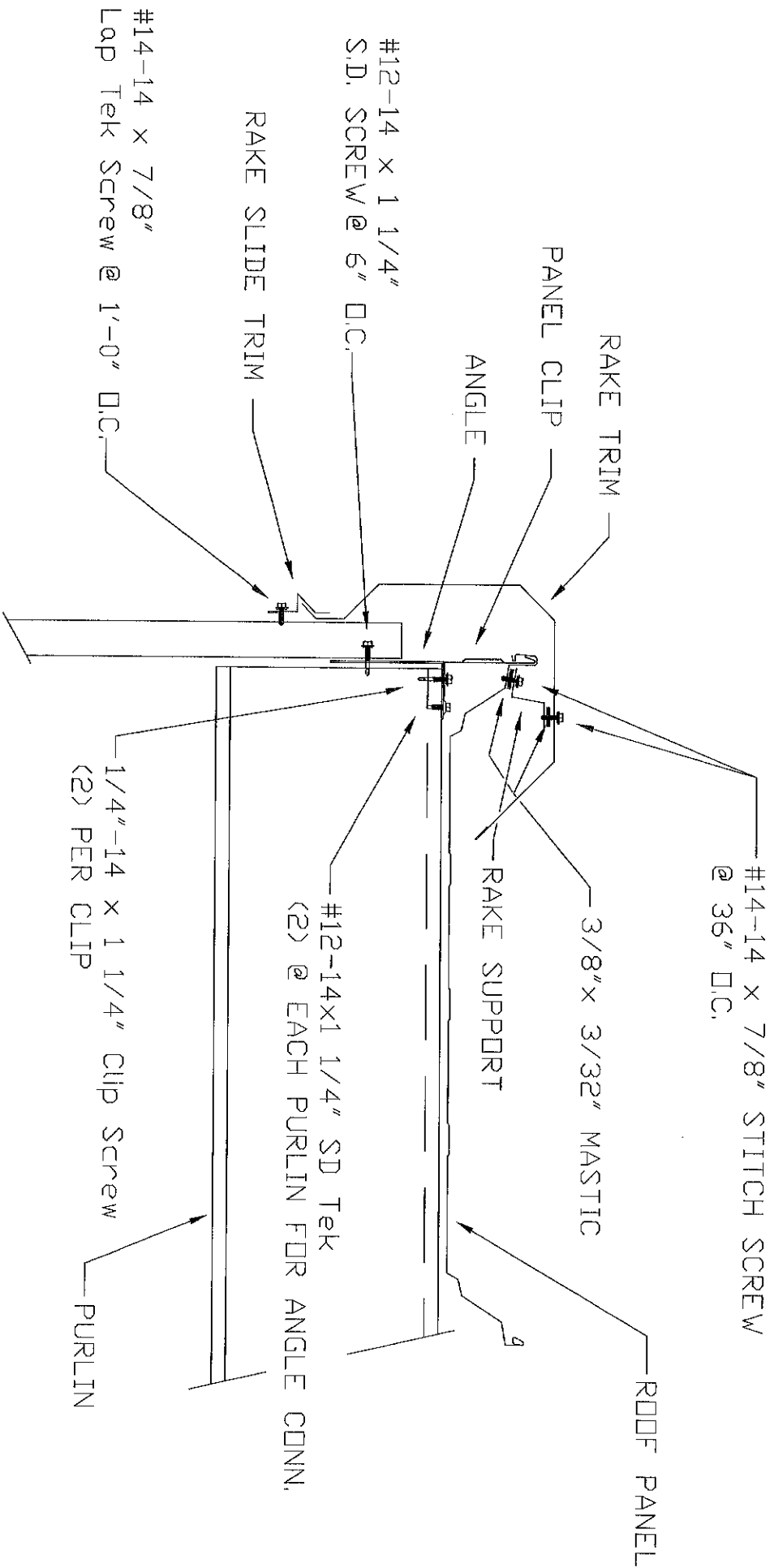
MUELLER, INC.

STEEL BUILDING SYSTEMS & COMPONENTS
 1913 Hutchins Ave.
 (800) 527-1087

Ballinger, TX 76821
 (325) 365-8103 (Fax)



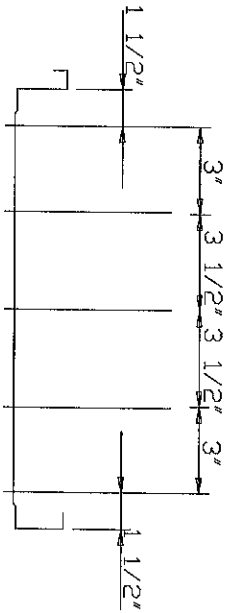
DESCRIPTION	MTL - Eave Trim					REF: Pg 15
DRN. BY	CK'D BY	DATE	SCALE	SALESMAN	JOB NO.	SHEET NO.
PDC		06/05/17	NONE	Phillip Colombo		
REV.						



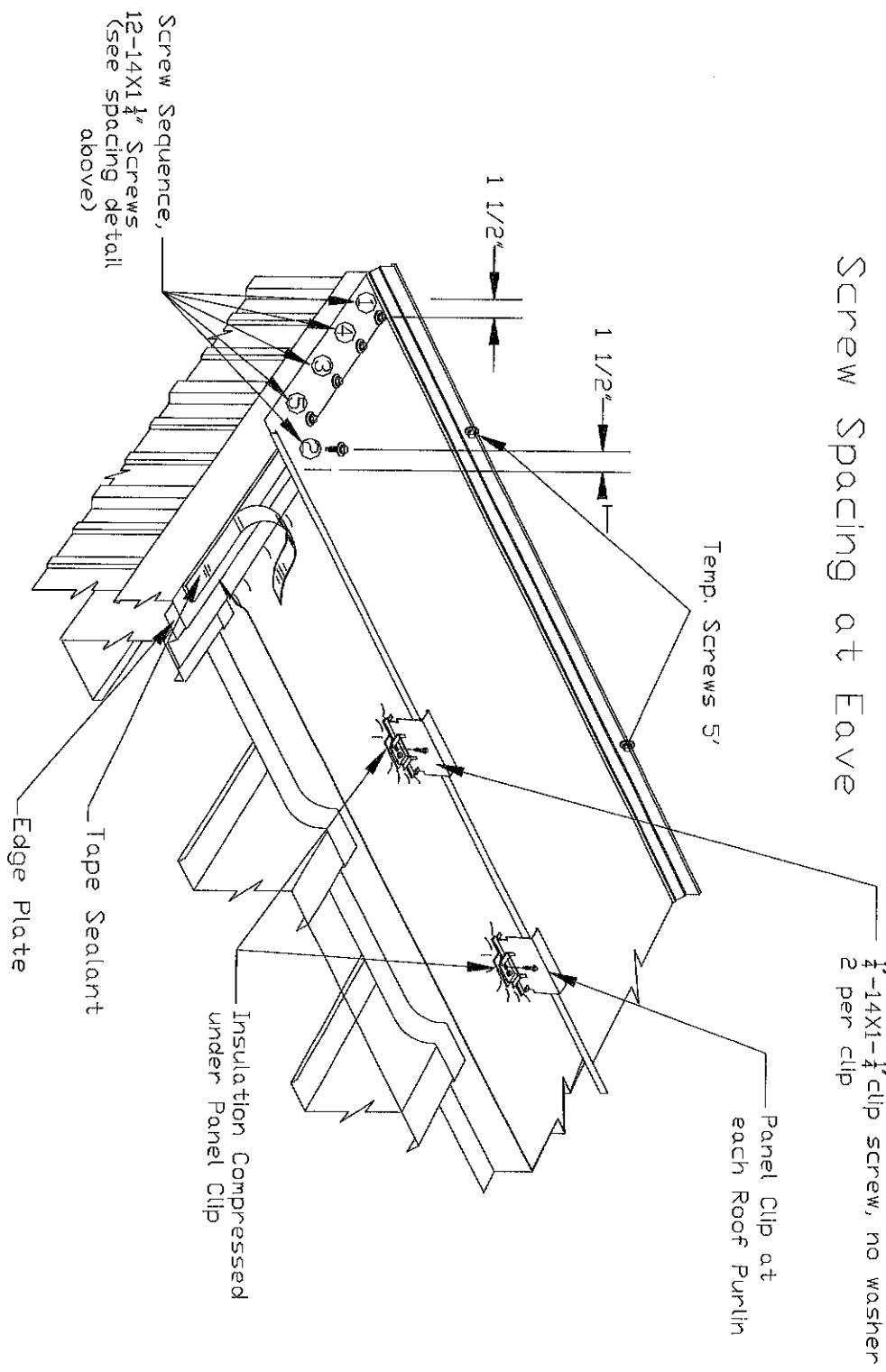
MUELLER, INC.
 STEEL BUILDING SYSTEMS & COMPONENTS
 1913 Hutchins Ave. Ballinger, TX 76821
 (800) 527-1087 (325) 365-8103 (Fax)

REF: d08.05.0
 JOB NO. SHEET NO. REV.

DESCRIPTION	MTL - Floating Rake Details A
DRN. BY	CK'D BY
PJC	06/05/17
DATE	SCALE
06/05/17	NONE
SALESMAN	Phillip Colombo



Screw Spacing at Eave



MUELLER, INC.

STEEL BUILDING SYSTEMS & COMPONENTS
 1913 Hutchins Ave. Bedford, TX 76821
 (800) 527-1087 (325) 365-8103 (Fax)



DESCRIPTION	MTL - Fastening Eave				REF: Pg 21
DRN. BY	CK'D BY	DATE	SCALE	SALESMAN	JOB NO.
PDC		06/05/17	NONE	Phillip Colombo	
					SHEET NO.
					REV.